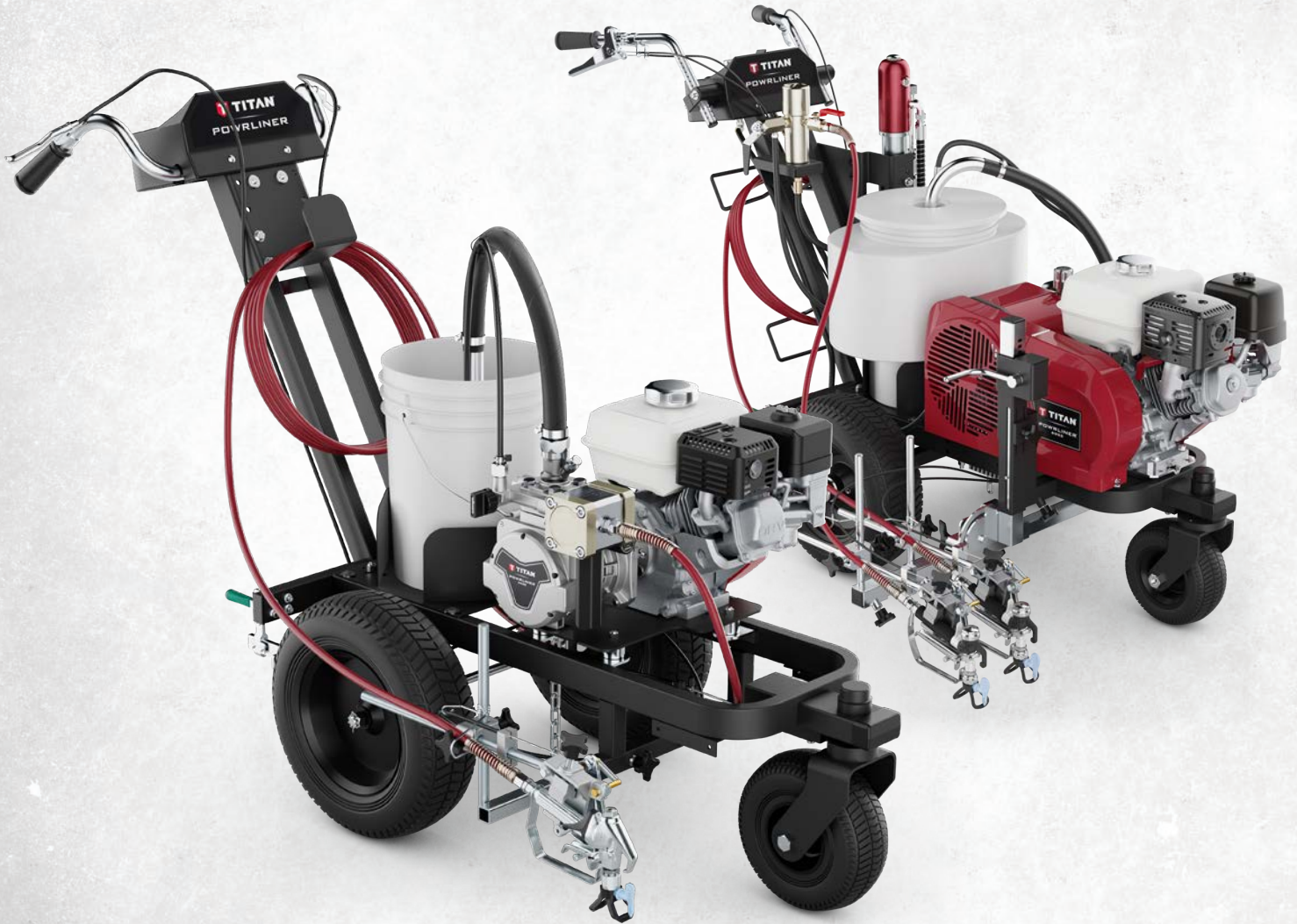




TITAN[®]

FIELD & PAVEMENT



SPRAYING **REDEFINED**



A large, red Titan Powerbeast sprayer is the background of the advertisement. The sprayer has a white tank with a red nozzle and hose. The words "TITAN" and "POWERBEAST" are visible on the tank. The sprayer is parked on a grassy area.

WEAR GUARD WARRANTY

THE BEST AND LONGEST WARRANTY IN THE INDUSTRY

Four-Year Manufacturer's Defect

We pledge that our sprayers are free from defects in materials and workmanship. This excludes normal wear items and consumables such as filters, piston, packings, tips, etc.

Lifetime DuraLife Brushless HE and PMDC Brushless Motor Warranty

If the motor fails for any reason (including wear) for as long as you own the sprayer, we will replace the motor at no cost to you.

Limited Lifetime DCX Motor Warranty

If the motor fails from normal usage for as long as you own the sprayer, we will replace the motor at no cost to you.

Gas Engine Warranty

Three-year Honda® and two-years all others.

Two-Year Turbine Warranty

Lifetime Drive Train Warranty

If the drive train fails from normal usage for as long as you own the sprayer, we will replace the drive train at no cost to you.

Lifetime Warranty on PermaStroke™ Technology Fluid Pump

Get a lifetime warranty on the PermaStroke Technology fluid pump. If the fluid pump fails for any reason (including wear) for as long as you own the sprayer, we will replace the fluid pump at no cost.

35-Day Satisfaction Guarantee

If for any reason the sprayer does not perform up to your expectations within 35 days, the sprayer can be exchanged for the identical model or full credit toward the purchase of a Titan sprayer of larger size and value.

Express Parts Program

- ▶ More than 550 Authorized Service Centers nationwide
- ▶ The most common repair parts are guaranteed to be in stock 100% of the time
- ▶ If for any reason your preferred Authorized Service Center is out of stock, free 2nd day air is available when ordered by 3:00 pm (EST)

SEE BACK PAGE FOR OUR PLATINUM AND ELITE PROGRAMS.



TITAN®

FIELD AND PAVEMENT
MARKING EQUIPMENT

04 POWRLINER™ SERIES

The sprayers of choice for everyone from serious contractors to entry level contractors and property managers.

11 LAZYLINER SERIES

Take a load off and increase productivity up to four times. An economical way to grow your business.

12 STRIPING ACCESSORIES

Make your striper more effective with hard working accessories from Titan.

14 STRIPING TIPS

Stock up on the industry's longest lasting striping tip in the market. Spray razor sharp lines and increase profits along the way.

15 SPRAYER SPECIFICATIONS

Compare Titan's PowrLiner series and make sure you get the perfect striper for your needs whatever they may be.

OUR MISSION

When your business depends on the tools you use,
you need to be able to count on the people who make them.

Our relentless commitment to helping every professional painter
be their best leads to better work, improved ROI and growing business.

SEALED HYDRAULIC
POWRLINER™
3500

0.75 GPM

Recommended for medium-sized projects on all parking lots and athletic fields.

Features:

PermaStroke™ Technology

Get a lifetime of durability with no piston or packings with two field serviceable wear parts.

Sealed Hydraulic System

No electronics or clutches to burn out

Sureflo™ Pusher Valve

Makes priming easy

FlatLine Pulsation Dampener™

Eliminates pressure fluctuations and deadband in the system

Removable Gun

For full stenciling capability.

No-Spill Pump Filter

Holds coating in the housing when removing.

Large 16" Pneumatic Tires

For increased portability over rough surfaces

New Swing Back Design

Elite Lifetime Warranty

On the hydraulic fluid pump.



Includes RX-80 gun, 1/4" x 50' hose, 419 TR¹ line striping tip and 517 TR¹ tip.



PowrCenter™
Designed with convenient and easy-to-use controls.

DeadLock Handlebars
3-way, easy adjustments.

Powered by
HONDA



PowrLiner 3500

Introducing the revolutionary PowrLiner 3500, built with technology that delivers a best in class stripe with sharp and consistent line quality even on the toughest surfaces.

PowrLiner 3500	
SPECIFICATIONS	
Max. Delivery	0.75 GPM (2.8 LPM)
Max. Tip Size - 1-Gun (Striping)	0.027"
Max. Operating Pressure	3300 PSI (22.75 MPa)
Weight	142 lbs.
Motor	Honda GX120 - 120 CC
Pump	Clutchless Sealed Hydraulic
PART NO.	
0537015	

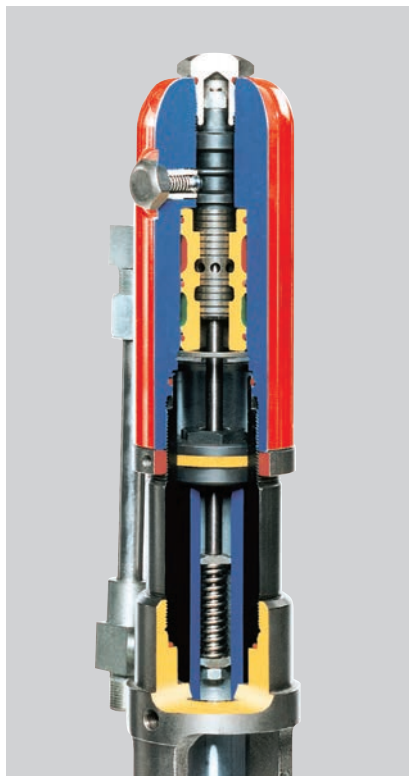
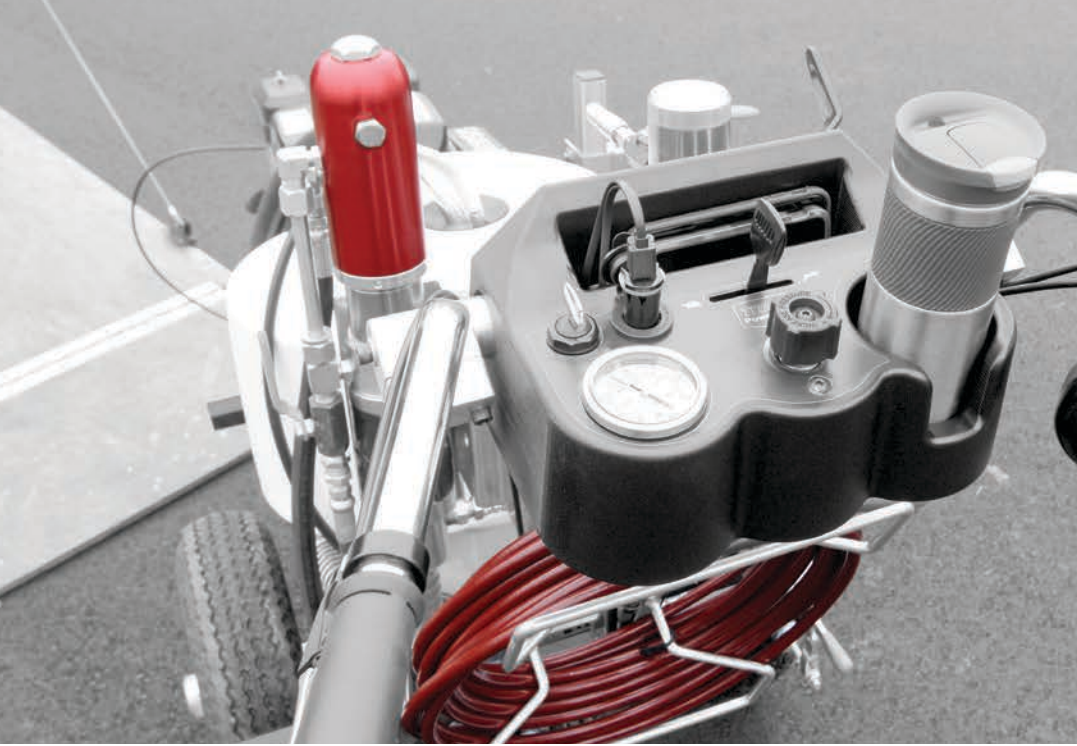


PermaStroke™ Technology

- ▶ One piece inlet & outlet valves
- ▶ 100% field serviceable

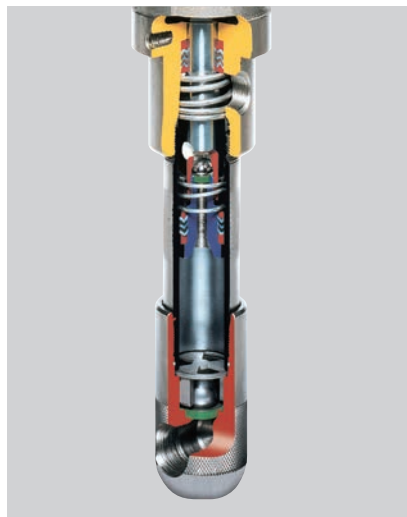
HYDRAULIC DRIVEN STRIPERS

Titan offers multiple PowrLiners that utilize hydraulic pump technology for heavy-duty, long-term use on medium, large and giant scale striping projects.



Speeflo® HydraDrive™

- Reliable, smooth, slow-stroking hydraulic drive greatly extends the operational life of the sprayer
- External-hydraulic fluid porting with NEW, upgraded fittings allows for quick troubleshooting and simplified maintenance
- SAE o-ring fitting and precision rod alignment ensure maximum pump life



Severe Service™ 900 Pump

- Cylinder and piston rod are tempered with a proprietary heat-treating process that increases pump life up to 150% longer than competitive pumps
- Self-adjusting packings prevent over-tightening and help prevent premature wear
- Foot valve removes easily for faster cleaning and easy maintenance
- Reversible inlet and outlet seats have twice the lifespan of ordinary outlet seats and extra large ball valves ensure efficient pump operation and longer unit life
- Heavy-duty prime/spray valve ensures consistent, increased flow and faster pump priming



PowrCenter™

Designed with convenient and easy-to-use controls with features like tip holder, phone charging port and cup holder.

Phone, charger and cup not included.



DeadLock Handlebars

Easily adjust handlebars on three planes; in and out, up and down and pivot forward or back.

Available on PowrLiner 4955, 6955, and 8955 only.

HYDRAULIC POWRLINER™ 4955

1.25 GPM

Recommended for full-time duty on parking lots and athletic fields.

Features:

SmartArm™

Can be setup to spray on the left or right side of the striper.

Precise Pressure Control

From 400 to 3300 PSI, for spraying light-bodied coatings all the way up to low-VOC striping paints.

Heavy-Duty Frame

Epoxy-finished frame resists harsh solvents and corrosion.

Second Gun Kit

Complete with S-3 gun, hose and tip kit for wider or dual lines.

12-Gallon Paint Hopper

Pneumatic Tires

For shock absorption.

Convenient Hose Rack

Keeps hose conveniently stored on the rear of the striper.

Electric Convertibility



2.0 HP Electric Converto Kit

506-719

Easy, tool-free convertibility from gas-power to electric power for projects where gas engines are not permitted.

For use only with PowrLiner 4950, 4955 and all XLT units.

PowrCenter™

Designed with convenient and easy-to-use controls.

DeadLock Handlebars

3-way, easy adjustments.

Speeflo® HydraDrive™

Provides extreme power and reliability.

Powered by
HONDA

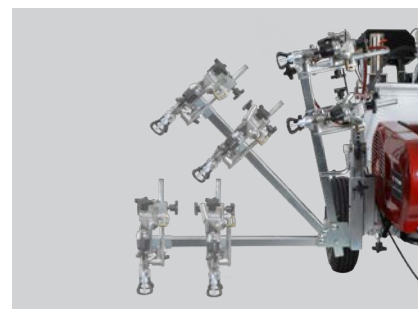
SmartArm™

Makes line adjustments and transportation quick and easy.



PowrLiner 4955

Designed and built for contractors who are serious about completing medium to large scale striping projects quickly and profitably. PowrLiner 4955 is the first step in hydraulic stripers where power and long-term, heavy duty operation are the difference between a business that makes money and one that does not.



SmartArm™

Built to pivot and lift, making line adjustments and transportation quick and easy.

HYDRAULIC POWRLINER 6955/8955

2.10/2.50 GPM

Recommended for large scale, full-time duty on airports, roads, parking lots and athletic fields.

Features:

SmartArm

Can be setup to spray on the left or right side of the striper.

Precise Pressure Control

From 400 to 3300 PSI, for spraying light-bodied coatings all the way up to low-VOC striping paints.

Heavy-Duty Frame

Epoxy-finished frame resists harsh solvents and corrosion.

Second Gun Kit

Complete with S-3 gun, hose and tip kit for wider or dual lines.

12-Gallon Paint Hopper

Pneumatic Tires

Highway-rated bearings on wheels.

Convenient Hose Rack

Keeps hose conveniently stored on the rear of the striper.

Additional Features:

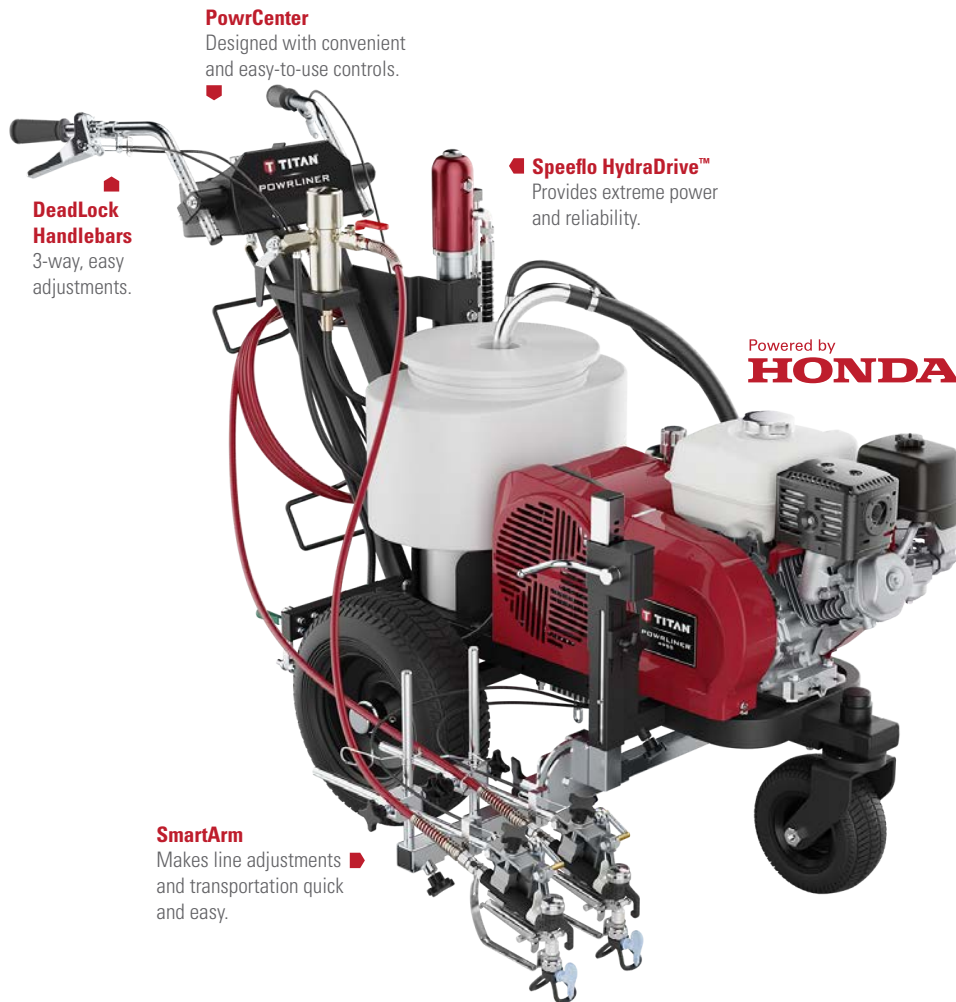
Electric Start

12v Auxiliary Charging Port

Low Oil Alert



All PowrLiner 55 series include S-3 Stainless Steel spray gun with premium TR1 line striping tip.



PowrCenter
Designed with convenient and easy-to-use controls.

DeadLock Handlebars
3-way, easy adjustments.

Speeflo HydraDrive™
Provides extreme power and reliability.

Powered by
HONDA

SmartArm
Makes line adjustments and transportation quick and easy.



PowrLiner 6955/8955

Larger projects require more power and output. PowrLiner 6955 and 8955 line strippers are the workhorse machines of the industry, designed for ease of use and simple operation on major projects that require maximum performance with minimum downtime and maintenance.

	PowrLiner 4955	PowrLiner 6955	PowrLiner 8955
SPECIFICATIONS			
Max. Delivery - Gas	1.25 GPM	2.10 GPM	2.50 GPM
Max. Delivery - Electric	1.10 GPM	0.047"	----
Max. Tip Size - 1-Gun	0.033"	0.031"	0.054"
Max. Tip Size - 2-Guns	0.025"	0.033"	0.038"
Max. Operating Pressure	3300 PSI	3300 PSI	3300 PSI
Engine - Gas	Honda® GX120 with Pull Start	Honda GX160 with Electric Start and Low Oil Alert	Honda GX200 with Electric Start and Low Oil Alert
	PART NO.	PART NO.	PART NO.
	0290052H	0290053H	0290054H



SPRAY QUIP, INC.
1754 DES JARDINES ST.
HOUSTON, TX 77023
PH.: 713-923-2771
WWW.SPRAYQUIP.COM

CLUTCH DRIVEN SERIES

Titan offers line strippers that utilize clutch-driven machines that are perfect for entry level projects.

T



Clutch-Driven Line Strippers (Pg. 8–10)

Titan's clutch-driven PowrLiners are a perfect entry level stripper for smaller and medium-sized striping projects.

DURABLE FLUID SECTION

- ◆ Patented, one-piece modular pump housing design makes routine service quick and easy – lasts up to 30% longer than competitive line strippers (2850 only)
- ◆ One-piece, self-adjusting static packings with 5 lip wiper (2850 only) last up to 50% longer; lifetime cylinder warranty means you spray more and worry less
- ◆ Exclusive fluid section design requires no cylinder; fewer wear parts reduces maintenance cost
- ◆ Access and clean the ball valves without damaging packings or removing fluid section
- ◆ Stainless steel rotating ball valves keep debris from sticking to minimize downtime and maximize performance
- ◆ Reversible inlet and outlet seats last twice as long as standard seats

RELIABLE GAS ENGINE

- ◆ Proven engine technology
- ◆ Quiet operation
- ◆ Easy starting



CLUTCH DRIVEN POWRLINER 850

0.33 GPM

FOR LATEX PRODUCTS ONLY

Bucket not included.

Recommended for light, periodic-duty on small parking lots and athletic fields.

Features:

Lightweight Design

Makes basic stenciling easy and fast.

DirectLink™ Pressure Control

Adjusts from 100–3000 PSI.

AutoOiler™

Folding Handle

Makes storage and transportation easy.

Removable Gun

For full stenciling capability.

No Flat Tires

Specially formulated poly for a smooth ride and durability.

Adjustable Front Wheel

Straight lock or free wheel caster.

Reversible Gun Mount

Stripe off either front or rear tire.

Holds 5-Gallon Paint Pail

Pail not included.

Two-Year Warranty

Against manufacturer defects.

Available Upgrades:

Front Wheel Release Kit

0293970

Release the front wheel from lock position to unlocked with the pull of a lever.



PowrLiner 850

The PowrLiner 850 is designed for entry level contractors, sports turf managers and maintenance personnel who need a basic line striper capable of high-spraying pressures for smaller jobs on pavement, grass or turf. Both are easy to use, easy to transport and easy to store. They only requires one operator to transport and each fits easily in most automobile trunks. They're perfect for any organization or municipal budget.

PowrLiner 850	
SPECIFICATIONS	
Max. Delivery	0.33 GPM
Max. Tip Size - 1-Gun (Striping)	0.021"
Max. Tip Size - 1-Gun (Airless Painting)	0.017"
Max. Operating Pressure	3000 PSI
Weight	83 lbs.
Engine - Gas	37.7cc 4-Stroke Engine
PART NO.	
0290005A	



PowrLiner™ 850 includes LX-40 spray gun with in-handle filter and premium TR¹ line striping tip.

CLUTCH DRIVEN
POWRLINER™
2850

0.92 GPM

Recommended for medium-sized projects on all parking lots and athletic fields.

Features:

Longer Performance Life

Fluid section has slower-stroking piston, slower cycle rate and larger displacement.

Versatile Gun Bracket

Position gun to spray on left, right, front or rear of striper.

Add a Second Gun

Stripe with either 1 or 2 guns.

Easy Maneuverability

Makes tight turns and stenciling fast and easy.

Holds 5-Gallon Paint Pail

Pail not included.

Front Swivel Caster

Tracks straight and unlocks for easier maneuvering.

Adjustable Handles

Telescoping handles for added comfort.

Removable Gun

For full stenciling capability.

Large, Highway-Rated Tires



Includes RX-80 spray gun with in-handle filter and premium TR1 line striping tip.



Optimized Frame Support System

PowrLiner 2850

The PowrLiner 2850 is designed to withstand the rigors of steady, everyday use on pavement, fields and turf. It's the perfect intermediate line striper for contractors who need a maneuverable, medium-duty line striper for projects where the big machines just aren't profitable to operate.

PowrLiner 2850	
SPECIFICATIONS	
Max. Delivery	0.92 GPM
Max. Tip Size - 1-Gun	0.032"
Max. Tip Size - 2-Guns	0.019"
Max. Operating Pressure	3300 PSI
Weight	250 lbs.
Engine - Gas	Honda® GX120 with Low Oil Alert
CONFIGURATIONS	PART NO.
2-Guns	0290009



LAZYLINER SERIES

Take a load off and increase productivity up to four times. An economical way to grow your business.



LazyLiner Elite 0290040H

- Multi-position seat (forward/back, side to side)
- Height adjustable foot pedals
- Heavy-duty pneumatic tires (16" x 6.5")
- 200-Watt lamp coil charging system
- Engine protection bumper bar
- Compatible with PowrLiner™ 2850–8955
- Hitch Required (see hitch chart on page 13)



Not pictured with Honda Engine

LazyLiner Pro 0290041H

- Multi-position seat (forward/back, side to side)
- Height adjustable foot pedals
- Standard pneumatic tires (16" x 4.5")
- Compatible with PowrLiner 2850–8955
- Hitch Required (see hitch chart on page 13)

	ELITE	PRO
SPECIFICATIONS		
Engine - Gas	Honda GX200	Honda GX160
Start	Pull or Electric	Pull
Speed - Forward	0–12 MPH	0–12 MPH
Speed - Reverse	0–7 MPH	0–7 MPH

LazyLiner tray, hitches and bumpers are sold separately. See page 13 for details.

HARD WORKING LINE STRIPER ACCESSORIES

Stencil Kits

Molded of 1/8" (.15 cm) polyethylene, these stencils are very durable and lay flat on surfaces for clean and accurate marking.

STENCIL KIT 1	
INCLUDES	PART NO.
39" (99 cm) Handicap	0290932

STENCIL KIT 2	
INCLUDES	PART NO.
39" (99 cm) Handicap	0290933
12" (30 cm) No Parking	
12" (30 cm) Numbers 0-9	

STENCIL KIT 3	
INCLUDES	PART NO.
42" (105 cm) Straight and Curved Arrows	0290934
39" (99 cm) Handicap	
12" (30 cm) Numbers 0-9	
4", 12" (10, 30 cm) No Parking	
4", 12" (10, 30 cm) Fire Lane	
4" (10 cm) Reserved	
4" (10 cm) Visitors	



WindGuard™ Spray Shield 0290623

Spray shield protects spray pattern from wind, minimizing over-spray. Works well when applying diluted athletic field marking paints. Adjustable for easy "on the fly" line width changes – 4", 6" or 8" and is easily removed from sprayer.

- Attaches to any Titan PowrLiner and most competitive models
- Spring loaded shields promote forgiveness on uneven surfaces
- Lightweight – only 5.5 lbs.



HandiBead™ Bead Dispenser 0290953A

Apply glass beads with consistency and accuracy. Eliminates hand tossing glass beads on stop bar or crosswalk applications.

- Adjustable diffuser can disperse material up to 15" wide

LineSite™ Laser Pointer 0290175A

Great for start/stops, curb striping, executing perfectly straight lines and training new employees. High intensity green laser is easy to see in daylight.

Second Gun Kit

Comes complete with mounting bracket, airless gun, 6' x 1/4" hose and line striping tip. Mounts to 4950, 6950 and 8950 PowrLiner.

DESCRIPTION	PART NO.
S-3 Gun Kit	759-138
S-5 Gun Kit	759-038
PowrLiner 2850 Gun Kit	0290310



LineSite™ Laser Pointer



Second Gun Kit



SmartArm™ Pivot System



SmartArm™ Lift System

Glass Bead Dispensing Systems

Includes hopper, hose and dispenser.

DESCRIPTION	PART NO.
1-Gun Kit (4–6")	424-826
2-Gun Kit (4–6")	424-836
1-Gun Kit (12")	424-840
2-Gun Kit (12")	424-841
PowrLiner 3500 Bracket Kit	0290181
Add a Second Dispenser to your One-Gun Kit Second Dispenser with Hose (4–6")	424-816

Compatible with: 4950, 4955, 6950, 6955, 8950, 8955, 4900XLT, 6900XLT and 8900XLT.
LazyLiner™ and PowrLiner™ sold separately.



SureTrak™ Floating Gun Kit



LazyLiner™ Tray

SureTrak™ Floating Gun Kit 759-120

Keeps the gun at the proper height from the surface for perfect lines over rough terrain.

- Works great on pavement, grass and turf
- Attaches to PowrLiner™ 4950, 4955, 6950, 6955, 8950 and 8955

LazyLiner Tray

Use this attachable tray system as an option for carrying around additional items.

- For use on the LazyLiner Pro and Elite

DESCRIPTION	PART NO.
LazyLiner Pro Tray (Must add bumper 0290646Z)	0290646Z
LazyLiner Elite Tray	0290645Z
LazyLiner Elite Tray (for use with LazyLiners equipped with Honda Engine)	2413480

SmartArm™ Assembly 0290382

Built to make line adjustments and transportation quick and easy.

- Pivots down for spraying and up for transportation/storage
- Locks in at any angle for curb striping
- Adjust gun height (fan pattern) up/down with the turn of a lever
- Automatically centers spray arm for easy set-up
- Graduated to return to your preferred spray position

Striper Add-On Accessories

RECOMMENDED GUNS	
DESCRIPTION	PART NO.
LX-40 Gun	550-540
RX-80 Gun	0538015
S-3 Gun	0550060
S-5 Gun	0550070

UPGRADES	
DESCRIPTION	PART NO.
PowrLiner™ 850 Caster Release Kit	0293970
12-Gallon Hopper	759-130
Polyethylene 5-Gallon Pail Cover	759-147
Turf Kit for PowrLiners 4955–8955	759-155

Hitches and Bumpers

DESCRIPTION	PRO	ELITE
	PART NO.	PART NO.
PowrLiner 2850	0290043Z	0290043Z
PowrLiner 3500	0290180	0290180
PowrLiner 3500 Hitch Bracket*	0290182	0290182
PowrLiner 4950, 4900xlt, 6900xlt, 8900xlt	0290180	0290180
PowrLiner 6950, 8950	0290180	0290180
PowrLiner 4955, 6955, 8955	0290180	0290180
Graco® 3900 and Up	0290050Z	0290050Z
Bumper / Engine Protection Bar	0290646Z	Included

The drivers are not shipped with a hitch; use chart to identify which hitch to order.

*Must order both the hitch and bracket for the PowrLiner 3500

ENGINEERED FOR PERFECT LINES

Titan's TR¹ and TR² line striping tips are built to provide the performance to exceed contractor expectations and increase profit.

The Industry's Best Performing Fan Pattern

- Sprays razor sharp lines
- Consistent line width from the first gallon to the last

Longest Lasting Striping Tip in the Market

- Uniform film build for the life of the tip
- Less wasted paint equals more profit

Easy-to-Read Tip Sizes

- 421 = 4" stripe (6" from the surface) with a 0.021" orifice



TR¹ Line Striping Tips 697-XXX

		ORIFICE SIZE (INCHES)													
		0.013	0.015	0.017	0.019	0.021	0.023	0.025	0.027	0.029	0.031	0.035	0.039	0.043	
FAN PATTERN WIDTH	INCHES	MM	213	215	217	219									
	2	51	213	215	217	219									
	4	102	413	415	417	419	421	423	425	427	429	431	435	439	443
	6	152		615	617	619	621	623	625	627	629	631	635	639	643
	8-10	203-254					821	823	825	827	829	831	835	839	843
	Flow (GPM)	---	0.18	0.24	0.31	0.39	0.47	0.57	0.67	0.78	0.91	1.03	1.32	1.64	1.99
	Flow (LPM)	---	0.68	0.91	1.17	1.47	1.78	2.15	2.53	2.95	3.44	3.89	4.99	6.20	7.52

Maximum Working Pressure: 5000 PSI (34.5 MPa)



► TR¹ Line Striping Tip

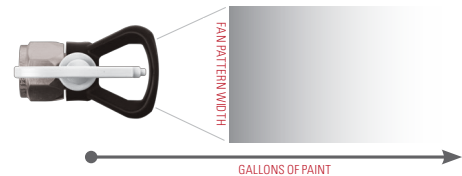
TR² Versatile Line Striping Tips

From striping to stenciling – with the twist of the tip.

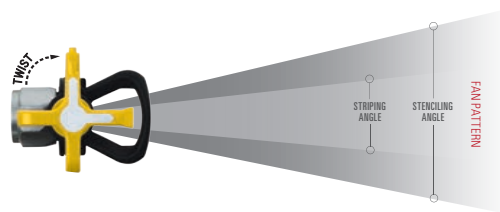
- Switch to wide or narrow fan patterns with a twist
- Speed and control at you fingertips
- One tip with two fan patterns
- Consistent film thickness when using wide or narrow fan pattern



► TR² Line Striping Tip



STRIPING TIP SIZE	STENCIL TIP SIZE	FLAG	FILTER COLOR	PART NO.
417	517	Yellow	White	694-1708517
419	519	Yellow	White	694-1908519
421	621	Yellow	White	694-2108621
423	623	Yellow	White	694-2308623



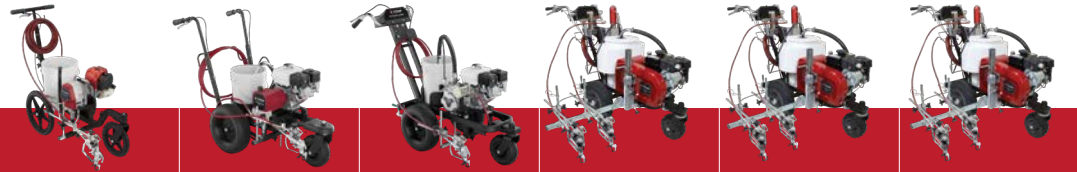
Flat Striping Tips 018-XXX

Use with 450-100A Flat Tip Guard.



		ORIFICE SIZE (INCHES)																	
		0.015	0.017	0.019	0.021	0.023	0.025	0.031	0.035	0.037	0.043	0.045	0.047	0.049	0.053	0.057	0.061	0.072	
FAN PATTERN WIDTH	INCHES	MM	1504	1704	1904		2304	2504	3104		3604	4304	4504		4904	5305		6204	7203
	4	102	1504	1704	1904		2304	2504	3104		3604	4304	4504		4904	5305		6204	7203
	6	152										4306	4506	4706	4906	5306	5705		7205
	8	203				2108					3512	4308	4508	4708	4908	5308	5908	6208	
	12	304										4312	4512		4912				
	Flow (GPM)	---	0.23	0.30	0.40	0.47	0.57	0.66	1.10	1.30	1.47	1.99	2.05	2.38	2.58	2.91	3.62	4.14	5.58
	Flow (LPM)	---	0.91	1.17	1.47	1.78	2.15	2.53	3.89	4.99	5.29	7.52	7.76	9.00	9.75	11.00	13.68	15.65	21.09

Maximum Working Pressure: 5000 PSI (34.5 MPa)



	PowrLiner 850	PowrLiner 2850	PowrLiner 3500	PowrLiner 4955	PowrLiner 6955	PowrLiner 8955
Part Number - 1-Gun	0290005A	----	0537015	----	----	----
Part Number - 2-Gun	----	0290009	----	0290052H	0290053A	0290054A
Max Delivery (GPM) - Gas	0.33 (1.3 LPM)	0.92 (3.2 LPM)	0.75 GPM (2.8 LPM)	1.25 (5 LPM)	2.10 (16.8 LPM)	2.50 (10.68 LPM)
Max Delivery (GPM) - Electric	----	----	----	1.10 (4.07 LPM)	----	----
Max Tip Size, 1-Gun - Gas	0.021"	0.030"	0.027"	0.033"	0.047"	0.054"
Max Tip Size, 2-Guns - Gas	----	0.019"	----	0.025"	0.031"	0.038"
Max Tip Size, 1-Gun - Electric	----	----	----	0.031"	----	----
Max Tip Size, 2-Guns - Electric	----	----	----	0.023"	----	----
Max. Operating Pressure (PSI)	3000 (17.2 MPa)	3300 (22.8 MPa)	3300 (22.75 MPa)	3300 (22.8 MPa)	3300 (22.8 MPa)	3300 (22.8 MPa)
Electric Motor	----	----	----	2 HP (1.5 kw) Extended Life DC	----	----
Max. Hose Length	50' (15.2 m)	300' (91.4 m)	300' (91.4 m)	300' (91.4 m)	300' (91.4 m)	300' (91.4 m)
Max. Spraying Speed*	106 Linear Feet (32.3 m) per minute	416 Linear Feet (126.8 m) per minute	400 Linear Feet (121 m) per minute	511 Linear Feet (155 m) per minute	688 Linear Feet (210 m) per minute	752 Linear Feet (229 m) per minute
Power Source	37.7cc 4-Stroke Engine	Honda® GX120 with Low Oil Alert and Pull Start	Honda GX120 with Low Oil Alert and Pull Start	Honda GX120 with Low Oil Alert and Pull Start	Honda GX160 with Low Oil Alert and Electric Start	Honda GX200 with Low Oil Alert and Electric Start
Pump Drive	Clutch Driven	Clutch Driven	Clutchless Sealed Hydraulic	Hydraulic	Hydraulic	Hydraulic
Line Width Range	2–12" (5–30.5 cm)	2–24" (5–60 cm)	2–24" (5–60 cm)	2–24" (5–60 cm)	2–24" (5–60 cm)	2–24" (5–60 cm)
Cycle Rate	----	----	----	87 per Gallon (23 per Liter)	55 per Gallon (15 per Liter)	40 per Gallon (11 per Liter)
Electrical System	----	----	----	----	12-Watts	12-Watts
Paint Outlet - Filter Element	60-Mesh	60-Mesh	60-Mesh	60-Mesh	60-Mesh	60-Mesh
Paint Outlet - Filter Area	3-inch ² (19 cm ²)	14-inch ² (90 cm ²)	18-inch ² (116 cm ²)	18-inch ² (116 cm ²)	18-inch ² (116 cm ²)	18-inch ² (116 cm ²)
Weight - Unit (lbs)	65	172	142	328	334	339
Weight - Crated (lbs)	84	251	271	422	433	433
Dimensions (H x W x L) - Unit	38" x 29" x 42" (97 x 74 x 107 cm)	41" x 30" x 54" (104 x 79 x 152 cm)	39.5" x 32.5" x 65" (100.3 x 82.5 x 165 cm)	41" x 31" x 60" (104 x 79 x 152 cm)	41" x 31" x 60" (104 x 79 x 152 cm)	41" x 31" x 60" (104 x 79 x 152 cm)
Dimensions (H x W x L) - Crated	26" x 26" x 46" (66 x 66 x 116 cm)	49" x 33" x 64" (125 x 84 x 163 cm)	49" x 33" x 64" (125 x 84 x 163 cm)	49" x 33" x 64" (125 x 84 x 163 cm)	49" x 33" x 64" (125 x 84 x 163 cm)	49" x 33" x 64" (125 x 84 x 163 cm)
Gun Included	LX-40	RX-80	RX-80	S-3	S-3	S-3
TR ¹ Line Striping Tip Included	417 (4" Line by 0.017" Orifice)	419 (4" Line by 0.019" Orifice)	419 (4" Line by 0.019" Orifice)	419 (4" Line by 0.019" Orifice)	419 (4" Line by 0.019" Orifice)	419 (4" Line by 0.019" Orifice)
Airless Hose Included	1/4" x 50' (15 m)	1/4" x 50' (15 m)	1/4" x 50' (15 m)	1/4" x 50' (15 m)	1/4" x 50' (15 m)	1/4" x 50' (15 m)
Repair Kit - Pump	759-365	0555960	0537903	107-051	144-050	144-050
Repair Kit - Gun	----	580-034	----	550-275	550-275	550-275
Operator's Manual	0293747	0290919	0537832	0290369	0290369	0290369
Optional Electric Motor Kit	----	----	----	506-719	----	----
Warranty	2-Years	4-Years	4-Years	4-Years	4-Years	4-Years

*Based on 4" (10 cm) line @ 15 mil wet film thickness and 320 linear feet per gallon coverage.

SPRAY-QUIP, INC.
 1754 DES JARDINES ST.
 HOUSTON, TX 77023
 PH.: 713-923-2771
 WWW.SPRAYQUIP.COM

WEAR GUARD

CONVENIENCE PROGRAM

PLATINUM PROGRAM

GET A SPARE FLUID SECTION

at a discounted rate

when you purchase a qualifying sprayer below:



LEVEL 1 Impact® 410 **\$172⁰⁰**
CAD \$225.00

LEVEL 4 PowrTwin® 4900, 6900, 8900, 12000 Plus; PowrBeast™ 4700, 4700T, 7700, 9700; PowrLiner™ 4955, 6955, 8955 **\$350⁰⁰**
CAD \$469.00

LEVEL 2 Impact® 440, 540, 640
MultiFinish® 440
PowrLiner® 2850 **\$250⁰⁰**
CAD \$327.00

LEVEL 5 Impact 1040T, 1640
PowrTwin® 6900 Plus DI,
12000 Plus DI **\$400⁰⁰**
CAD \$524.00

*IMPACT® 440, 540 640 FLUID SECTIONS
INCLUDE **\$375 IN ADDED FEATURES**

MANIFOLD FILTER HOUSING | PRESSURE TRANSDUCER | SUREFLO™ PUSHER VALVE | PRIME SPRAY VALVE

LEVEL 6 Hydra® Pro IV, M4000, M2000
PowrCoat® 730, 745, 940, 960,
975, 1045, 1064, 1072 **\$635⁰⁰**
CAD \$832.00

LEVEL 3 Impact® 740, 840, 1040, 1140 **\$275⁰⁰**
CAD \$360.00

ELITE PROGRAM

LEVEL 1 Elite™ 3000, 3500;
PowrLiner 3500 **\$125⁰⁰**
CAD \$164.00

GET A PERMASTROKE KIT

at a discounted rate

when you purchase a qualifying sprayer



CONNECTOR APP

Available for download
theconnectorapp.com

Call Technical Services at

1-800-526-5362

for complete warranty information.

All information contained in this brochure is based on the latest information available at the time of printing. Titan reserves the right to make changes at any time, without notice. Due to continuous innovation, specifications may progressively change. Contact one of our dependable sales reps or call our dedicated customer service team for more information.