

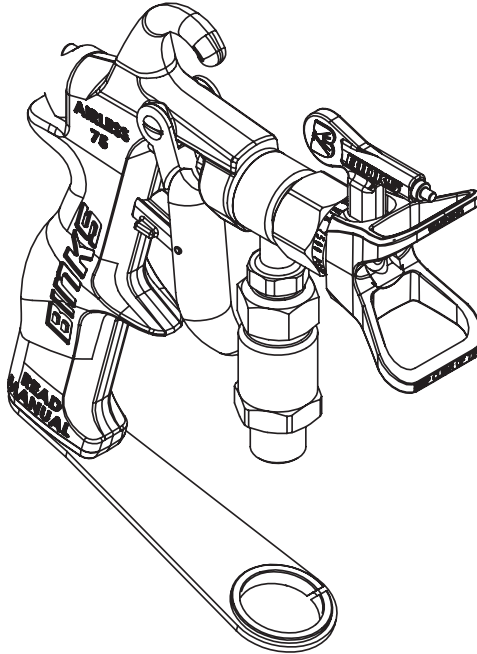


SPRAY-QUIP, INC.
1754 DES JARDINES ST.
HOUSTON, TX 77023
PH.: 713-923-2771
WWW.SPRAYQUIP.COM

BINKS®

AIRLESS 75M SPRAY GUN 7500 PSI

(0811-7500-4)



The following instructions provide the necessary information for the proper operation and preventive maintenance of the Binks Airless 75M Spray Gun. Please read and understand all information in this document in order to get the maximum performance from your new Airless 75M spray gun.

IMPORTANT! DO NOT DESTROY

It is the customer's responsibility to have all operators and service personnel read and understand this manual.
Contact your local Binks representative for additional copies of this manual.

READ ALL INSTRUCTIONS BEFORE OPERATING THIS BINKS PRODUCT.

Product Description/Object of Declaration: Airless 75 Guns

This Product is designed for use with: Solvent and Water based Materials

Suitable for use in hazardous area: Zone 1

Protection Level: II 2 G X

Notified body details and role: Element Materials Technology. WN8 9PN UK
Lodging of Technical file

This Declaration of Conformity /incorporation is issued under the sole responsibility of the manufacturer: Carlisle Fluid Technologies,
320 Phillips Ave.,
Toledo, OH 43612

EU Declaration of Conformity



The object of the declaration described above is in conformity with the relevant Union harmonisation legislation:

Machinery Directive 2006/42/EC

ATEX Directive 2014/34/EU

by complying with the following statutory documents and harmonized standards:

EN ISO 12100:2010 Safety of Machinery - General Principles for Design

EN 13463-1:2009 Non electrical equipment for use in potentially explosive atmospheres - Basic methods and requirements

EN 1953:2013 Atomising and spraying equipment for coating materials. Safety requirements

The object of the declaration described above is in conformity with the relevant Union harmonisation legislation: Directive 94/9/EC (until April 19th, 2016) and Directive 2014/34/EU (from April 20th, 2016)

Providing all conditions of safe use / installation stated within the product manuals have been complied with and also installed in accordance with any applicable local codes of practice.

Signed for and on behalf of
Carlisle Fluid Technologies:

DJ Hasselschwert
14-Apr-16

(Vice President: Global
Product Development)
Toledo, OH 43612

4-3193R-1

In this part sheet, the words **WARNING**, **CAUTION** and **NOTE** are used to emphasize important safety information as follows:

WARNING

Hazards or unsafe practices which could result in severe personal injury, death or substantial property damage.

CAUTION

Hazards or unsafe practices which could result in minor personal injury, product or property damage.

NOTE

Important installation, operation or maintenance information.

Read the following warnings before using this equipment.



READ THE MANUAL

Before operating finishing equipment, read and understand all safety, operation and maintenance information provided in the operation manual.



WEAR SAFETY GLASSES

Failure to wear safety glasses with side shields could result in serious eye injury or blindness.



DE-ENERGIZE, DEPRESSURIZE, DISCONNECT AND LOCK OUT ALL POWER SOURCES DURING MAINTENANCE

Failure to De-energize, disconnect and lock out all power supplies before performing equipment maintenance could cause serious injury or death.



OPERATOR TRAINING

All personnel must be trained before operating finishing equipment.



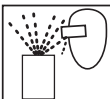
EQUIPMENT MISUSE HAZARD

Equipment misuse can cause the equipment to rupture, malfunction, or start unexpectedly and result in serious injury.



KEEP EQUIPMENT GUARDS IN PLACE

Do not operate the equipment if the safety devices have been removed.



PROJECTILE HAZARD

You may be injured by venting liquids or gases that are released under pressure, or flying debris.



PINCH POINT HAZARD

Moving parts can crush and cut. Pinch points are basically any areas where there are moving parts.



INSPECT THE EQUIPMENT DAILY

Inspect the equipment for worn or broken parts on a daily basis. Do not operate the equipment if you are uncertain about its condition.



NEVER MODIFY THE EQUIPMENT

Do not modify the equipment unless the manufacturer provides written approval.



KNOW WHERE AND HOW TO SHUT OFF THE EQUIPMENT IN CASE OF AN EMERGENCY



PRESSURE RELIEF PROCEDURE

Always follow the pressure relief procedure in the equipment instruction manual.



NOISE HAZARD

You may be injured by loud noise. Hearing protection may be required when using this equipment.



STATIC CHARGE

Fluid may develop a static charge that must be dissipated through proper grounding of the equipment, objects to be sprayed and all other electrically conductive objects in the dispensing area. Improper grounding or sparks can cause a hazardous condition and result in fire, explosion or electric shock and other serious injury.



FIRE AND EXPLOSION HAZARD

Never use 1,1,1-trichloroethane, methylene chloride, other halogenated hydrocarbon solvents or fluids containing such solvents in equipment with aluminum wetted parts. Such use could result in a serious chemical reaction, with the possibility of explosion. Consult your fluid suppliers to ensure that the fluids being used are compatible with aluminum parts.



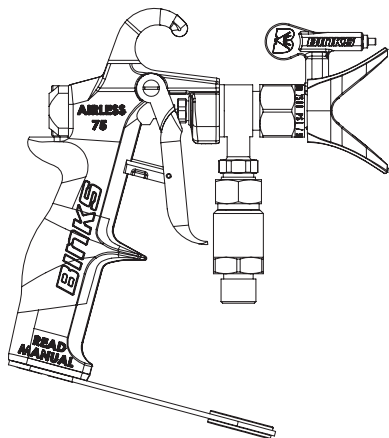
PROP 65 WARNING

WARNING: This product contains chemicals known to the State of California to cause cancer and birth defects or other reproductive harm.

IT IS THE RESPONSIBILITY OF THE EMPLOYER TO PROVIDE THIS INFORMATION TO THE OPERATOR OF THE EQUIPMENT.

FOR FURTHER SAFETY INFORMATION REGARDING BINKS AND DEVILBISS EQUIPMENT, SEE THE GENERAL EQUIPMENT SAFETY BOOKLET (77-5300).

BINKS AIRLESS 75M SPRAY GUN 7500 PSI



0811-7500-4

For trained, professional use only!

Maximum working pressure:
7500 PSI – 517 BAR – 51.7 Mpa
Model 0811-7500-4

**SAFETY, OPERATING AND
MAINTENANCE
INSTRUCTIONS INSIDE!!**

Read all warnings and
operating information inside

**SAVE THIS MANUAL FOR FUTURE
REFERENCE**

Contact your local Binks representative
for additional copies of this manual

SPECIFICATIONS

Maximum Fluid Pressure	7500 Psi/517Bar Maximum
Gun Body	Forged Aluminum
Fluid Path	Stainless Steel
Fluid Inlet Size	3/8" NPS(m) Thread
Gun Weight	660 g / 23.3 oz

NOTE

The following instructions provide the necessary information for operation and preventative maintenance of the Binks Airless 75M Spray Gun. It is the customer's responsibility to have all operators and service personnel read and understand this manual. Please read and understand all information in this document in order to safely operate your new spray gun.

⚠ WARNING

HAZARD: EYE HAZARD – Failure to wear safety glasses with side shields could result in serious injury or blindness. All operators and bystanders must always wear safety glasses with side shields that conform to ANSI Standard Z87.1 or European Norm 156.

⚠ WARNING

HAZARD: INJECTION INJURY – a high pressure stream produced by this equipment can pierce the skin and underlying tissues, leading to a serious injury and possible amputation. See a physician immediately.

DO NOT TREAT AN INJECTION INJURY AS A SIMPLE CUT!

Injection can lead to amputation. See a physician immediately.

BINKS AIRLESS 75M SPRAY GUN

⚠ CAUTION

KEEP CLEAR OF NOZZLE: Do not exceed maximum working pressure of 7500 PSI (517 BAR, 51.7 Mpa).

PREVENTION:

NEVER Aim the gun at any part of the body.

NEVER Allow any part of the body to touch the fluid stream. DO NOT allow body to touch a leak in the fluid hose.

NEVER Put hand in front of the gun. Gloves will not provide protection against an injection injury.

ALWAYS lock the gun trigger, shut the pump off, and release all pressure before servicing, cleaning the tip or guard, changing the tip, or leaving unattended. Pressure will not be released by turning off the motor. The PRIME/SPRAY valve must be turned to PRIME to relieve the pressure. Refer to the PRESSURE RELIEF PROCEDURE described in the pump manual.

ALWAYS Keep the tip guard in place while spraying. The tip guard provides some protection, but is mainly a warning device.

ALWAYS Remove the spray tip before flushing or cleaning the system.

ALWAYS inspect the hose before each use. The paint hose can develop leaks from wear, kinking, and abuse. A leak can inject material into the skin.

NEVER Use a spray gun without a trigger lock and trigger guard in place and in good working order.

All accessories must be rated at 7500 PSI (517 BAR) or higher. This includes spray tips, guns, extensions, and hose.

NOTE**NOTE TO PHYSICIAN:**

Injection into the skin is a traumatic injury. It is important to treat the injury as soon as possible. **DO NOT DELAY** treatment to research toxicity. Toxicity is a concern with some coatings injected directly into the blood stream. Consultation with a plastic surgeon or reconstructive hand surgeon may be advisable.

⚠ WARNING

HAZARD: EXPLOSION OR FIRE – Solvent and paint fumes can explode or ignite. Severe injury and/or property damage can occur.

PREVENTION:

Provide extensive exhaust and fresh air introduction to keep the air within the spray area free from accumulation of flammable vapors.

Avoid all ignition sources such as static electricity sparks, electrical appliances, flames, pilot lights, hot objects, and sparks from connecting and disconnecting power cords or working light switches.

Do not smoke in spray area.

Fire extinguisher must be present and in good working order. Place pump at least 25 feet (7.6 m) away from the spray object in a well ventilated area. Add more hose if necessary. Flammable vapors are often heavier than air. Floor area must be extremely well ventilated. The pump may contain arcng parts that emit sparks and can ignite vapors.

The equipment and objects in and around the spray area must be properly grounded to prevent static sparks.

Use only conductive or grounded high pressure fluid hose. Gun must be grounded through hose connections.

Power cords must be connected to a grounded circuit.

Always flush unit into a separate metal container, at low pump pressure, with spray tip removed.

BINKS AIRLESS 75M SPRAY GUN

Hold gun firmly against side of container to ground container and prevent static sparks.

Follow the material and solvent manufacturer's warnings and instructions.

Use extreme caution when using materials with a flashpoint below 70° F (21° C). Flashpoint is the temperature that a fluid can produce enough vapor to ignite.

Plastic can cause static sparks. Never hang plastic to enclose a spray area. Do not use plastic drop cloths when spraying flammable materials.

Use lowest possible pressure to flush equipment

WARNING

HAZARD: EXPLOSION HAZARD DUE TO INCOMPATIBLE MATERIALS – will cause severe injury or property damage.

PREVENTION:

Do not use materials containing bleach or chlorine.

Do not use halogenated hydrocarbon solvents such as bleach, mildewcide, methylene, chloride and 1,1,1 – trichloroethane. They are not compatible with aluminum.

Contact your coating supplier about the compatibility of material with aluminum.

WARNING

HAZARD: HAZARDOUS VAPORS – Paints, solvents, insecticides, and other materials can be harmful if inhaled or come in contact with the body. Vapors can cause severe nausea, fainting, or poisoning.

PREVENTION:

Use a respirator or mask if vapors can be inhaled. Read all instructions supplied with the mask to be sure it will provide the necessary protection.

Wear protective eyewear.

Wear protective clothing as required by coating manufacturer.

WARNING

HAZARD: GENERAL – Can cause severe injury or property damage.

PREVENTION:

Read all instructions and safety precautions before operating equipment.

Always disconnect the motor from the power supply before working on the equipment.

Follow all appropriate local, state and national codes governing ventilation, fire prevention, and operation.

The United States Government Safety Standards have been adopted under the Occupational Safety and Health Act (OSHA). These standards, particularly part 1926 of the Construction Standards should be consulted.

Use only manufacturer authorized parts. User assumes all risks and liabilities when using parts that do not meet the minimum specifications and safety devices of the pump manufacturer.

Before each use, check all hoses for cuts, leaks, abrasion, or bulging of cover. Check for damage or movement of couplings. Immediately replace the hose if any of these conditions exist. Never repair a paint hose. Replace it with another grounded high-pressure hose.

All hoses, swivels, guns, and accessories must be pressure rated at or above the maximum operating pressure range of the airless sprayer.

Do not spray outdoors on windy days.

Wear protective clothing to keep paint off skin and hair.

BINKS AIRLESS 75M SPRAY GUN

WARNING

The following are general WARNINGS related to the setup, use, grounding, maintenance and repair of this equipment. FIRE AND EXPLOSION HAZARD – Flammable fumes, such as solvents and paint fumes, in work area can ignite or explode. To help prevent fire and explosion:

Use equipment only in well ventilated area. Provide fresh air ventilation to avoid the buildup of flammable fumes from the material being sprayed or from the solvent.

Eliminate all ignition sources; such as pilot lights, cigarettes, portable electric lamps, and plastic drop cloths (potential static arc).

Keep work area free of debris; including solvent, rags, and gasoline.

Sprayers generate sparks. When flammable liquid is used in or near sprayer or for flushing or cleaning, keep sprayer at least 25 feet (7.6m) away from explosive vapors.

Electrically disconnect all equipment in the spray area. Do not plug or unplug power cords or turn lights on or off when flammable fumes are present.

Ground equipment and conductive objects in work area. Ground object being sprayed.

If there is static sparking or you feel a shock, stop operating immediately. Do not use equipment until you identify and correct the problem.

Keep a fire extinguisher in the work area.

SKIN INJECTION HAZARD

High pressure fluid from spray gun, hose leaks, or ruptured components will pierce skin. This may look like just a cut, but is a serious injury that can cause amputation. Seek immediate surgical treatment. Inform the physician as to what type of material was injected.

Do not point gun at anyone or any part of the body. Do not put your hand or fingers over the spray tip.

Do not stop or deflect leaks with your hand, body, glove or rag. Do not spray without tip guard installed.

Engage trigger lock when not spraying.

Follow pressure relief procedure for your sprayer when you stop spraying and before cleaning, checking or servicing your equipment.

Tighten all fluid connections before operating equipment.

Check all hoses, tubes, and couplings daily. Replace all worn, damaged, or loose parts immediately.

EQUIPMENT MISUSE HAZARD

This equipment is for professional use only.

Read and understand all instructional manuals, tags, and labels before operating equipment.

Use equipment only for its intended purpose. If you are unsure of its purpose, call your local BINKS distributor.

Misuse can cause death or serious injury.

Do not exceed the maximum working pressure or temperature rating of the lowest rated system component. See the technical data in all equipment manuals.

Use fluids and solvents that are compatible with your equipment wetted parts. See technical data in all equipment manuals. Read fluid and solvent manufacturer's warnings. For complete information about your material, request a MSDS from your distributor or retailer.

Check your equipment daily. Do not alter or modify your equipment. Repair or replace worn or damaged parts immediately with genuine BINKS Replacement Parts only.

Do not alter or modify this equipment.

Use equipment only for its intended purpose. Call Binks for more information.

BINKS AIRLESS 75M SPRAY GUN

Route hoses and cables away from traffic areas, sharp edges, moving parts and hot surfaces.

Do not kink or over bend hoses or use hoses to pull equipment.

Use genuine BINKS hoses. If provided, do not remove the spring guards from hoses, these are on the hoses to prevent rupture from kinking at the connectors.

Keep children and animals away from work area. Comply with all applicable safety regulations.

Do not operate equipment when fatigued or under the influence of drugs or alcohol.

TOXIC FLUID HAZARD

Know the specific hazards of the fluid you are using. This information is on the MSDS for the material that is being used. Read all fluid manufacturer's warnings.

Store hazardous fluids in approved containers only. Dispose of all hazardous fluids in accordance with all state, local and national guidelines.

Wear the appropriate protective clothing, gloves, eyewear and respirator.

GROUNDING AND ELECTRIC REQUIREMENTS

The sprayer and gun must be grounded. Grounding reduces the risk of static and electric shock by providing an escape wire for the electrical current due to static build up or in the event of a short circuit. Follow the grounding instructions included in the equipment manual provided with all your spray equipment. Additional grounding instructions for your **BINKS Airless 75M Spray Gun** are provided:

Ground your **BINKS Airless 75M Spray Gun** through connection to a properly grounded fluid hose and pump.

SET UP INSTALLATION

WARNING

Never attempt to assemble, change, or clean the gun, tip, or tip guard without first relieving pressure from the spray system. Follow the "PRESSURE RELIEF PROCEDURE" in the sprayer's equipment manual.

WARNING

Always use tip safety guard for added protection against injection. Beware that the guard alone will not prevent injection. NEVER cut off tip guard! Always engage gun trigger lock when the gun is not in use. Before servicing equipment, consult all equipment manuals and follow all warnings.

WARNING

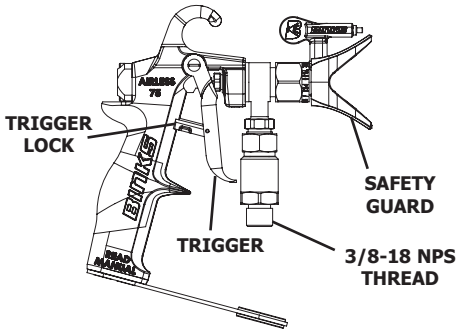
Do not allow fluid to exceed the fluid manufactures recommended maximum temperature. Gun must include heat guard (54-7527) to be used with heated materials.

NOTE

BINKS Airless Spray Gun Safety Tip Guards for the 7500 PSI (517 BAR) gun are gray in color.

BINKS AIRLESS 75M SPRAY GUN

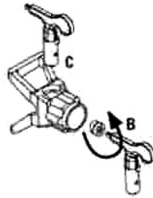
BINKS Airless 75M PROFESSIONAL AIRLESS SPRAY GUN 7500 PSI (517 BAR) MODEL 0811-7500-4



If you are using a genuine BINKS tip, follow the instructions below to install the guard and tip. If you are using a different tip, follow the installation instructions provided with the tip that you are using.

INSTALLATION OF THE TIP AND GUARD

1. Make sure that the tip and tip guard are rated for use at 7500 PSI. (Genuine BINKS parts will be gray in color.)
2. Use seal alignment tool on BINKS tip handle to insert seal and pressure gasket into back of guard, turn to align with tip shaft opening.
3. Insert tip into opening on BINKS guard.



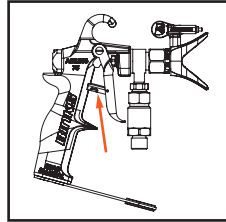
NOTE

Narrow end of tip handle should be in forward position for spraying.

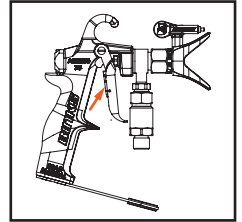
4. Thread the guard onto gun head until it stops. Tighten slightly with wrench – DO NOT OVER TIGHTEN.

CONNECTION TO THE HOSE

Attach a properly grounded fluid hose to the fluid hose connection fitting (3/8 – 18 NPS thread) on the bottom of the handle of your spray gun. Use two (2) wrenches – one on the gun and one on the hose. Tighten securely.



LOCKED



UNLOCKED

GUN OPERATION

1. Make sure your tip is in the spray position.
2. Start your sprayer following the instructions provided in the equipment owner's manual.
3. Pull trigger to achieve flow through gun.
4. Adjust the fluid pressure on the sprayer until proper atomization is achieved. Always spray at the lowest pressure necessary to get the desired atomization.

TIP CLOGS

If you are using a Genuine BINKS spray tip, follow the instructions below to clear a clogged tip. If you are using a different tip, follow the instructions included in the equipment manual provided with that tip.

1. Engage Trigger Lock. Rotate tip handle 180° to the reverse position.
2. Unlock trigger. Point the gun into a bucket holding the gun nose away from you. Trigger the gun briefly to expel the clog.
3. Engage Trigger Lock. Rotate tip handle 180° to the spray position.
4. Unlock trigger. Spray a test to be sure the clog is completely expelled.

BINKS AIRLESS 75M SPRAY GUN

NOTE

If clog is not completely expelled after following the above steps, repeat steps 1-4 until the clog is completely cleared.

CLEANING AND MAINTENANCE

CLEAN DAILY

Maintaining a clean gun is important to ensure trouble-free operation and extend the service life of your gun. Always flush the gun thoroughly after each use and store in a warm, dry location. DO NOT leave the gun or any of its parts in water or solvents.

Always flush gun outside if possible and at least 25 ft (7.5 m) away from sprayer.

Area must be free of flammable vapors.

Always flush at minimum pressure. Always remove tip and guard.

Static electricity buildup may result in fire or explosion in the presence of flammable vapors.

Always hold the gun firmly against a grounded, metal container when flushing.

TROUBLESHOOTING

Spray gun distance from work surface should be at a point where maximum fan pattern is evident. This distance is normally 8 to 14 inches.

Excessive fluid pressure will distort the spray pattern. Spray at the lowest acceptable pressure.

Hour-glass and tails on spray patterns normally indicate too low a fluid pressure for the nozzle tip orifice size or the material is too viscous or thick. Increase the pressure or thin the material.

Distorted patterns may be the result of worn or plugged tips. Clean (see tip clogs) or replace the spray tip.

Airless spray guns are either on or off. You cannot feather with airless guns as you can with air atomized equipment.

Successive strokes may require overlapping. Typical overlap is 30%.

TO REPLACE NEEDLE ASSEMBLY (10)

1. Shut off power supply to pump and release pressure from gun. Remove gun from hose.
2. Remove screws and rear cap. (12)
3. Remove trigger and trigger stud (9)
4. Unscrew gland nut of item 10.
5. Pull needle assembly out from back of gun.
6. Reinsert needle assembly (of step 5) into position through back of gun body assembly. Tighten gland nut.
7. Reassemble items.

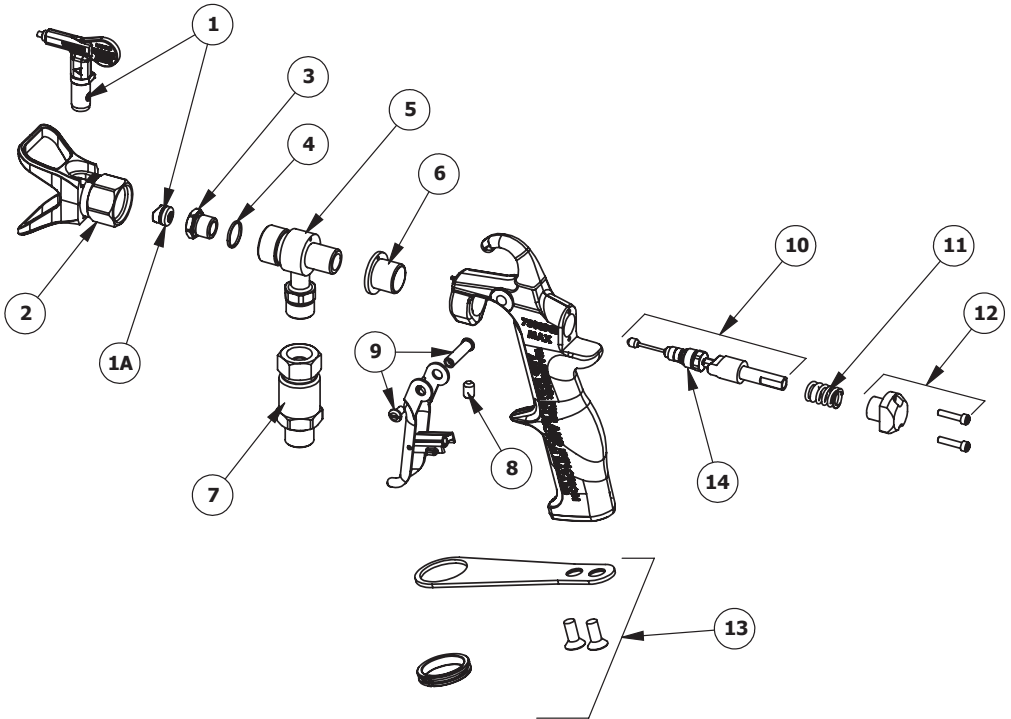
TO REPLACE PACKING

1. Remove needle assembly following steps 1-5 under 'To Replace Needle Assembly'.
2. Locate slot in packing gland (14), pry apart and push off.
3. Replace with new packing gland, and reassemble.

TO ADJUST PACKING GLAND

1. Shut off power supply to pump and release pressure from gun. Remove gun from hose.
2. Use 7/16' open-end wrench to turn gland nut clockwise to eliminate any leakage at gland.
3. If sluggish trigger operation is noted, turn gland nut counterclockwise in 1/16 turn increments until drag is eliminated.
4. If leakage cannot be stopped without excessive drag on trigger, replace packing.

BINKS AIRLESS 75M SPRAY GUN



BINKS AIRLESS 75M SPRAY GUN PARTS LIST

ITEM NO.	PART NUMBER	DESCRIPTION	QTY.
1	—	TWIST TIP 7500, PSI, SEE CHART	1
1A	54-7539-K2	AIRLESS 75 TWIST TIP BRACE KIT	1
2	1108-75B	7500 PSI TWIST TIP GUARD	1
3	54-7537-K	DIFFUSER NUT KIT	1
4	54-2096-K5	WASHER (KIT-5)	1
5	54-7544	75M AIRLESS WELDED GUN HEAD ASSEMBLY	1
6	54-7502-K3	BODY INSULATOR	1
7	72-2351	3/8 (F) NPS X 3/8 (M) NPS SWIVEL	1
8	20-5865-K3	SET SCREW (KIT OF 3)	1
9	54-7534-K	TRIGGER KIT	1
10	54-7512	NEEDLE ASSEMBLY	1
11	54-7508	SPRING	1
12	54-7530-K	REAR CAP KIT	1
13	54-7542-K	HOSE BRACKET KIT	1
14	54-2949	PACKING GLAND	1

BINKS SPRAY TIP SELECTION CHART

PART NUMBER 9-XXX-75 (Tips rated for use at 7500 psi)

All of the following tips will have a grey tip handle

	4" spray pattern	6" spray pattern	8" spray pattern	10" spray pattern	12" spray pattern	14" spray pattern
.007" orifice		307				
.009" orifice		309	409	509		
.011" orifice	211	311	411	511	611	
.013" orifice	213	313	413	513	613	713
.015" orifice	215	315	415	515	615	715
.017" orifice	217	317	417	517	617	717
.019" orifice		319	419	519	619	
.021" orifice			421	521	621	
.023" orifice				523	623	
.025" orifice				525	625	
.027" orifice					627	
.031" orifice					631	
.035" orifice			435		635	

BINKS ACCESSORIES

ORDER NUMBER	DESCRIPTION
72-2332	Swivel Adapter 1/4" M x 1/4" F
72-2333	Swivel Adapter 3/8" M x 1/4" F
72-2340	Swivel Adapter with inlet filter (60 Mesh)
72-2341	Swivel Adapter with inlet filter (100 Mesh)
54-1836	60 Mesh filter
54-1835	100 Mesh filter
52-5208	36" Airless Tip Extension
52-5209	60" Airless Tip Extension
72-2339	High Pressure "Y" Block (7,250 psi max)

BINKS AIRLESS FLUID HOSE

ORDER NUMBER	DESCRIPTION
71-4870	Hose Whip 1/4" F x 3/8" M 3 ft, 10,000 psi working pressure
71-4840	Hose 1/4" x 25 ft 10,000 psi working pressure
71-4841	Hose 1/4" x 50 ft 10,000 psi working pressure
71-4860	Hose 3/8" x 25 ft 8,000 psi working pressure
71-4861	Hose 3/8" x 50 ft 8,000 psi working pressure

NOTES

WARRANTY POLICY

Binks products are covered by Carlisle Fluid Technologies one year materials and workmanship limited warranty. The use of any parts or accessories, from a source other than Carlisle Fluid Technologies, will void all warranties. For specific warranty information please contact the closest Carlisle Fluid Technologies location listed below.

Carlisle Fluid Technologies reserves the right to modify equipment specifications without prior notice. DeVilbiss®, Ransburg®, MS®, BGK®, and Binks® are registered trademarks of Carlisle Fluid Technologies, Inc. ©2016 Carlisle Fluid Technologies, Inc. All rights reserved.



Binks is part of Carlisle Fluid Technologies, a global leader in innovative finishing technologies. For technical assistance or to locate an authorized distributor, contact one of our international sales and customer support locations.

USA/Canada

info@carlisleleft.com
Tel: 1-888-992-4657
Fax: 1-888-246-5732

Mexico

ventas@carlisleleft.com.mx
Tel: 011 52 55 5321 2300
Fax: 011 52 55 5310 4790

Brazil

vendas@carlisleleft.com.br
Tel: +55 11 5641 2776
Fax: 55 11 5641 1256

United Kingdom

info@carlisleleft.eu
Tel: +44 (0)1202 571 111
Fax: +44 (0)1202 573 488

France

info@carlisleleft.eu
Tel: +33(0)475 75 27 00
Fax: +33(0)475 75 27 59

Germany

info@carlisleleft.eu
Tel: +49 (0) 6074 403 1
Fax: +49 (0) 6074 403 281

China

mkt@carlisleleft.com.cn
Tel: +8621-3373 0108
Fax: +8621-3373 0308

Japan

overseas-sales@carlisleleft.co.jp
Tel: 081 45 785 6421
Fax: 081 45 785 6517

Australia

sales@carlisleleft.com.au
Tel: +61 (0) 2 8525 7555
Fax: +61 (0) 2 8525 7575

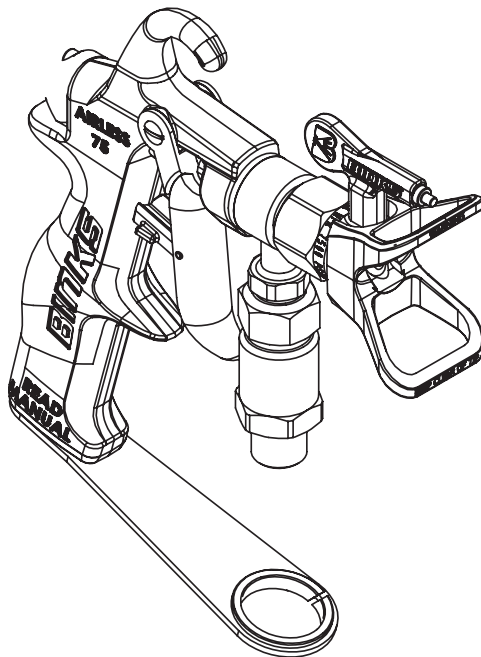
For the latest information about our products, visit www.carlisleleft.com.



BINKS®

PISTOLA PULVERIZADORA SIN AIRE 75M 7500 PSI

(0811-7500-4)



Las siguientes instrucciones proporcionan la información necesaria para la debida operación y el mantenimiento preventivo de la Pistola pulverizadora sin aire 75M de Binks. Sírvase leer y comprender toda la información contenida en este documento para lograr el máximo nivel de desempeño de su nueva Pistola pulverizadora sin aire 75M.

¡IMPORTANTE! NO DESTRUIR

Es responsabilidad del cliente que todos los operadores y miembros del personal de servicios lean y comprendan este manual.

Para obtener copias adicionales de este manual, favor ponerse en contacto con un representante de Binks de su localidad.

LEA TODAS LAS INSTRUCCIONES ANTES DE OPERAR ESTE PRODUCTO BINKS.

Descripción del producto / Objeto de la Declaración :

Airless 75 Guns

Este Producto está diseñado para su uso con:

Materiales de base de agua y disolventes

Adecuado para su uso en áreas peligrosas:

Zona 1

Nivel de protección:

II 2 G X

Notificado de carrocería y papel :Element Materials Technology. WN8 9PN UK
Presentación de Ficha técnica**Esta declaración de conformidad / incorporación se expide bajo la exclusiva responsibility del fabricante:**Carlisle Fluid Technologies,
320 Phillips Ave.,
Toledo, OH 43612**Declaración de conformidad EU**

El objeto de la declaración descrita anteriormente es conforme con la legislación de armonización de la Unión pertinente :

Directiva de máquinas 2006/42/CE

Directiva ATEX 2014/34/EU

ya que es conforme con las siguientes normas armonizadas y documentos estatutarios:

EN ISO 12100:2010 Seguridad de las máquinas - Principios generales para el diseño

EN 13463-1:2009 Equipos no eléctricos destinados a atmósferas potencialmente explosivas - Requisitos y metodología básica

EN 1953:2013 Atomización y pulverización equipos para materiales de recubrimiento. Requerimientos de seguridad.

El objeto de la declaración descrita anteriormente es conforme con la legislación de armonización de la Unión pertinente : Directiva 94/9 / CE (hasta abril 19 de , 2016) , y la Directiva 2014/34 / UE (del 20 de abril , 2016)

Proporcionar todas las condiciones de uso seguro / instalación indicado en los manuales de los productos se han cumplido y también se instala de acuerdo con todos los códigos locales aplicables de la práctica .

Signed for and on behalf of
Carlisle Fluid Technologies:

DJ Hasselschwert
14-Apr-16(Vice President: Global
Product Development)
Toledo, OH 43612

4-3193R-1

En esta Hoja de piezas, las palabras **ADVERTENCIA**, **PRECAUCIÓN** y **NOTA** se emplean para enfatizar información de seguridad importante de la manera siguiente:

ADVERTENCIA

Prácticas peligrosas o inseguras que pueden ocasionar lesiones personales graves, la muerte o daño substancial a la propiedad.

PRECAUCIÓN

Prácticas peligrosas o inseguras que pueden ocasionar lesiones personales leves, la muerte, daño al producto o a la propiedad.

NOTA

Información importante de instalación, operación o mantenimiento.

Lea las siguientes advertencias antes de usar este equipo.



LEA EL MANUAL

Antes de operar los equipos de acabado, lea y comprenda toda la información de seguridad, operación y mantenimiento incluida en el manual de operaciones.



USE GAFAS PROTECTORAS

No usar gafas protectoras con resguardos laterales puede ocasionar lesiones graves en los ojos o ceguera.



DESACTIVE, DESCONECTE Y BLOQUEE TODAS LAS FUENTES DE ENERGÍA DURANTE EL MANTENIMIENTO.

No desactivar, desconectar ni bloquear todas las fuentes de suministro de energía antes de realizar operaciones de mantenimiento en los equipos puede ocasionar lesiones graves o la muerte.



CAPACITACIÓN DE LOS OPERADORES

Todos los miembros del personal deben ser capacitados antes de operar los equipos de acabado.



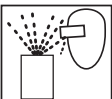
PELIGRO DE USO INDEBIDO DEL EQUIPO

El uso indebido del equipo puede ocasionar averías, mal funcionamiento o activación imprevista lo que a su vez puede producir lesiones graves.



MANTENGA LAS DEFENSAS DEL EQUIPO EN SU LUGAR

No operar los equipos si los dispositivos de seguridad fueron removidos.



PELIGRO DE PROYECTILES

Usted puede resultar lesionado por dar salida a líquidos o gases liberados bajo presión o por restos volanderos.



PELIGRO DE PUNTOS DE PRESTÓN

Las partes móviles pueden aplastar y ocasionar cortaduras. Los puntos de presión son básicamente todas las áreas donde haya partes móviles.



INSPECCIONE LOS EQUIPOS DIARIAMENTE

Inspeccione diariamente los equipos para verificar que no tengan piezas gastadas o rotas. No opere los equipos si no está seguro de esta condición.



NUNCA MODIFIQUE LOS EQUIPOS

No modifique el equipo sin la autorización escrita del fabricante.



SEPA CÓMO Y DÓNDE DESACTIVAR LOS EQUIPOS EN CASO DE EMERGENCIA.



PROCEDIMIENTO DE LIBERACIÓN DE PRESIÓN

Siga siempre el procedimiento de liberación de presión que aparece en el manual de instrucciones del equipo.



PELIGRO DE RUIDO

Usted puede resultar lesionado por el ruido muy fuerte. Podría necesitar protección de los oídos al usar este equipo.



CARGA ESTÁTICA

Los fluidos pueden generar una carga estática que debe ser disipada mediante la debida puesta a tierra del equipo, los objetos que van a ser rociados y todos los demás objetos electroconductores en el área de suministro. La puesta a tierra indebida o las chispas pueden ocasionar condiciones de peligro y producir incendios, explosiones o descargas eléctricas y otras lesiones graves.



PELIGRO DE INCENDIO Y EXPLOSIÓN

Nunca use 1, 1,1-tricloroetano, cloruro de metileno, otros disolventes con hidrocarburos halogenados o fluidos que contengan dichos disolventes en equipos con piezas de aluminio humedecidas. Tales usos pueden producir una reacción química peligrosa con posibilidades de explosión. Consulte con sus proveedores de fluidos para asegurarse de que los fluidos que se vayan a usar sean compatibles con las piezas de aluminio.



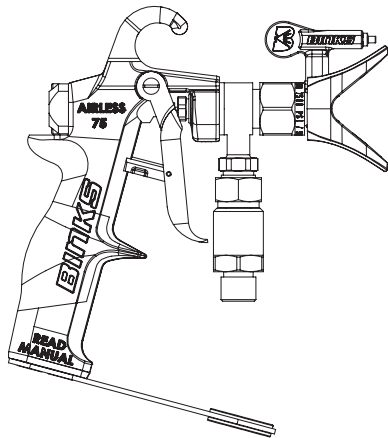
ADVERTENCIA PROP 65

ADVERTENCIA: Este producto contiene sustancias químicas que según información en poder del estado de California producen cáncer, defectos de nacimiento y otros daños al sistema reproductor.

ES RESPONSABILIDAD DEL EMPLEADOR SUMINISTRAR ESTA INFORMACIÓN AL OPERADOR DEL EQUIPO.

PARA MÁS INFORMACIÓN DE SEGURIDAD ACERCA DE LOS EQUIPOS BINKS Y DEVILBISS, CONSULTE EL FOLLETO DE SEGURIDAD GENERAL DE LOS EQUIPOS (77-5300).

PISTOLA PULVERIZADORA SIN AIRE 75M DE BINKS 7500 PSI



0811-7500-4

¡Únicamente para uso por personal capacitado y profesional!

Presión de trabajo máxima:
7500 PSI – 517 BAR – 51.7 Mpa
Modelo 0811-7500-4

**!!INSTRUCCIONES DE SEGURIDAD,
OPERACIÓN Y MANTENIMIENTO EN
PÁGINAS INTERIORES!!**

Lea todas las advertencias y la información de operación en páginas interiores

**GUARDE ESTE MANUAL PARA
REFERENCIA FUTURA**

Para obtener copias adicionales de este manual, favor ponerse en contacto con un representante de Binks de su localidad

ESPECIFICACIONES

Presión máxima del fluido	7500 PSI/517 Bar máx.
Cuerpo de la pistola	Aluminio forjado
Conducto del fluido	Acero inoxidable
Tamaño del orificio de entrada de fluido	Rosca de 3/8 NPS (M)
Peso de la pistola	660 gr. /23.3 oz.

NOTA

Las siguientes instrucciones proporcionan la información necesaria para la operación y el mantenimiento preventivo de la Pistola pulverizadora sin aire 75M de Binks. Es responsabilidad del cliente que todos los operadores y miembros del personal de servicios lean y comprendan este manual. Sírvase leer y comprender toda la información contenida en este documento para operar sin riesgo su nueva pistola pulverizadora.

⚠ ADVERTENCIA

PELIGRO: RIESGO PARA LOS OJOS – No usar gafas protectoras con resguardos laterales puede ocasionar lesiones graves o ceguera. Todos los operadores y espectadores deben usar siempre gafas protectoras con resguardos laterales aprobadas según la Norma ANSI Z87.1 o la Norma Europea 156.

⚠ ADVERTENCIA

PELIGRO: LESIÓN POR INYECCIÓN – una corriente de alta presión producida por este equipo puede perforar la piel y los tejidos subyacentes, produciendo una lesión grave y posible amputación. Ver a un médico de inmediato.

¡NO TRATE UNA LESIÓN POR INYECCIÓN COMO UNA SIMPLE CORTADURA!

La inyección puede ser causa de una amputación. Ver a un médico de inmediato.

PISTOLA PULVERIZADORA SIN AIRE 75M DE BINKS

PRECAUCIÓN

MANTÉNGASE ALEJADO DE LA BOQUILLA:
No sobrepase la presión de trabajo máxima de 7500 PSI (517 BAR, 51.7 Mpa).

PREVENCIÓN:

NUNCA apunte la pistola a una parte del cuerpo.

NUNCA permita que ninguna parte del cuerpo entre en contacto con la corriente de fluido. NO permita que el cuerpo entre en contacto con ninguna filtración en la manguera de fluido.

NUNCA ponga la mano frente a la pistola. Los guantes no protegen contra una lesión por inyección.

SIEMPRE ponga el seguro del disparador de la pistola, apague la bomba y libere toda la presión antes de reparar o darle mantenimiento a la pistola, limpiar la punta o el resguardo, cambiar la punta o dejar la pistola desatendida. La presión no se reducirá apagando el motor. La válvula de CEBADO/PULVERIZADO debe estar en CEBADO (PRIME) para liberar la presión. Consulte el PROCEDIMIENTO DE LIBERACIÓN DE PRESIÓN descrito en el manual de la bomba.

SIEMPRE mantenga el resguardo de la punta en su lugar al atomizar. El resguardo de la punta protege un poco, pero es principalmente un dispositivo de advertencia.

SIEMPRE quite la punta pulverizadora antes de purgar o limpiar el sistema.

SIEMPRE inspeccione la manguera antes de cada uso. La manguera de pintura puede producir filtraciones debido al desgaste, a retorcimientos o mala utilización. Una filtración puede inyectar material en la piel.

NUNCA use una pistola pulverizadora sin que el seguro del disparador y el resguardo del disparador estén colocados y en buenas condiciones de funcionamiento.

Todos los accesorios deben tener una clasificación de 7500 PSI (517 BAR) o superior. Estos accesorios incluyen puntas de atomizado, pistolas, extensiones y la manguera.

NOTA

NOTA AL MÉDICO:

La inyección en la piel es una lesión traumática. Es importante tratar la lesión lo antes posible. **NO RETRASE** el tratamiento para investigar la toxicidad. La toxicidad es un problema en algunos recubrimientos inyectados directamente en la corriente sanguínea. Podría ser recomendable consultar con un cirujano plástico o cirujano de reconstrucción de mano.

ADVERTENCIA

PELIGRO: EXPLOSIÓN O INCENDIO – Los disolventes y vapores de pintura pueden explotar o prenderse fuego. Puede ocurrir lesión grave y/o daño a la propiedad.

PREVENCIÓN:

Proporcione amplia exhaustación e introducción de aire fresco para mantener el aire dentro del área de atomizado libre de acumulación de vapores inflamables.

Evite todas las fuentes de ignición tales como chispas de electricidad estática, artefactos eléctricos, llamas, luces piloto, objetos calientes y chispas que se producen al conectar y desconectar cables eléctricos o interruptores de luz.

No fume en el área de atomizado.

Debe estar presente un extintor de incendios y en buenas condiciones de funcionamiento. Coloque la bomba al menos a 7.6 m (25 pies) de distancia del objeto a atomizar en un área bien ventilada. Añada más manguera si fuese necesario. Los vapores inflamables son con frecuencia más pesados que el aire. El área del piso debe estar muy bien ventilada. La bomba podría contener piezas que forman arcos, emiten chispas y pueden encender los vapores.

El equipo y los objetos en y alrededor del área de atomizado deben estar debidamente puestos a tierra para evitar chispas estáticas.

Use sólo mangueras de fluido de alta presión conductiva o puestas a tierra. La pistola debe ponerse a tierra a través de las conexiones de la manguera.

Los cables eléctricos se deben conectar a un circuito puesto a tierra.

PISTOLA PULVERIZADORA SIN AIRE 75M DE BINKS

Siempre descargue la unidad en un recipiente metálico separado, a una presión de bomba baja, habiendo quitado la punta pulverizadora.

Sostenga la pistola con firmeza contra el costado del recipiente para poner a tierra el recipiente y evitar las chispas estáticas.

Siga las advertencias e instrucciones del fabricante para el material y el disolvente.

Tenga sumo cuidado al usar materiales con punto de inflamabilidad inferior a los 21° C (70° F). El punto de inflamabilidad es la temperatura en la que un fluido puede producir suficiente vapor para prender fuego.

El plástico puede producir chispas estáticas. Nunca cuelgue plástico para circundar un área de atomizado. No use paños para herramientas plásticas al atomizar materiales inflamables.

Use la presión más baja posible para purgar el equipo

ADVERTENCIA

PELIGRO: PELIGRO DE EXPLOSIÓN DEBIDO A MATERIALES INCOMPATIBLES – ocasionará lesión grave o daño a la propiedad.

PREVENCIÓN:

No use materiales que contengan hipocloruro cálcico o cloro.

No use disolventes con hidrocarburo halogenado como hipocloruro cálcico, fungicida, cloruro de metileno y 1,1,1-tricloroetano. No son compatibles con el aluminio.

Póngase en contacto con su proveedor de recubrimientos para averiguar la compatibilidad de los materiales con el aluminio.

ADVERTENCIA

PELIGRO: VAPORES TÓXICOS – Pinturas, disolventes, insecticidas y otros materiales pueden ser peligrosos si se inhalan o entran en contacto con el cuerpo. Los vapores pueden causar náuseas fuertes, desmayos o intoxicación.

PREVENCIÓN:

Use un respirador o máscara si existiese la posibilidad de inhalar vapores. Lea todas las instrucciones provistas con la máscara para asegurarse de que proporcionará la protección necesaria.

Use gafas protectoras.

Use ropa protectora como lo requiera el fabricante de recubrimientos.

ADVERTENCIA

PELIGRO: GENERAL – Puede ocasionar lesión grave o daño a la propiedad.

PREVENCIÓN:

Lea todas las instrucciones y precauciones de seguridad antes de operar el equipo.

Desconecte siempre el motor del suministro de energía antes de trabajar con el equipo.

Siga todos los códigos locales, estatales y nacionales adecuados que rijan la ventilación, la prevención de incendios y la operación.

Las normas de seguridad del gobierno de EE.UU. fueron adoptadas bajo la Ley de Seguridad y Salud Ocupacionales (OSHA, por sus siglas en inglés). Se deben consultar estas normas, especialmente la parte 1926 de las Normas de Construcción.

Use sólo las piezas autorizadas por el fabricante. El usuario asume todos los riesgos y responsabilidades cuando usa piezas que no cumplen con las especificaciones mínimas y los dispositivos de seguridad del fabricante de la bomba

Antes de cada uso, revise todas las mangueras para verificar que no haya roturas, filtraciones, desgaste por raspadura o pando en la cubierta. Revise si hay daños o desplazamiento de los acoplamientos. Reemplace de inmediato la manguera ante cualquiera de estas condiciones. Nunca repare una manguera de pintura. Reemplácela con otra manguera de alta presión puesta a tierra.

Todas las mangueras, placas giratorias, pistolas y accesorios deben tener una clasificación de presión de o por encima del rango de presión operativa máxima del atomizador.

No aplique con la pistola al aire libre en días de mucho viento.

Use ropa protectora para mantener la pintura fuera de la piel y el cabello.

PISTOLA PULVERIZADORA SIN AIRE 75M DE BINKS

ADVERTENCIA

Lo que sigue son **ADVERTENCIAS** generales relacionadas con el montaje, el uso, la puesta a tierra, el mantenimiento y la reparación de este equipo. **PELIGRO DE INCENDIO Y EXPLOSIÓN – Gases inflamables, como disolventes y vapores de pintura en el área de trabajo pueden prender fuego o explotar. Para ayudar a prevenir un incendio y una explosión:**

Use el equipo únicamente en áreas bien ventiladas. Proporcione ventilación de aire fresco para evitar la acumulación de gases inflamables del material que está siendo atomizado o del disolvente.

Elimine todas las fuentes de ignición; tales como luces piloto, cigarrillos, lámparas eléctricas portátiles y paños para herramientas plásticos (posible arco estático).

Mantenga el área de trabajo libre de desechos; incluyendo disolvente, trapos y gasolina.

Los pulverizadores generan chispas. Cuando se usa líquido inflamable en o cerca de la pistola pulverizadora o para descargarla o limpiarla, mantenga la pistola pulverizadora al menos a 7.6m (25 pies) de distancia de los vapores explosivos.

Desconecte de su fuente de energía eléctrica todos los equipos en el área de atomizado. No enchufe ni desenchufe cables eléctricos ni encienda ni apague las luces en presencia de gases inflamables.

Conecte a tierra los equipos y objetos conductivos en el área de trabajo. Conecte a tierra los objetos que estén siendo atomizados.

Si hubiese chispa estática o sintiese una descarga, deje de operar el equipo de inmediato. No use el equipo hasta que identifique y corrija el problema.

Mantenga un extintor de incendios en el área de trabajo.

PELIGRO DE INYECCIÓN EN LA PIEL

Los fluidos de alta presión de la pistola pulverizadora, las filtraciones de la manguera o los componentes rotos perforarán la piel. Esto podría parecer como una simple cortadura, pero es una lesión grave que podría hacer necesaria una amputación. Busque de inmediato tratamiento quirúrgico. Informe a su médico acerca del tipo de material que fue inyectado.

No apunte la pistola hacia ninguna persona ni hacia ninguna parte del cuerpo. No ponga la mano ni los dedos sobre la punta pulverizadora.

No detenga ni desvíe las filtraciones con la mano, el cuerpo, un guante o un trapo. No atomice sin que el resguardo de la punta esté instalado.

Deje puesto el seguro del disparador cuando no esté atomizando.

Siga el procedimiento de liberación de presión para su atomizador cuando deje de atomizar y antes de limpiar, revisar o reparar o dar mantenimiento a su equipo.

Apriete todas las conexiones de fluidos antes de operar el equipo.

Revise todas las mangueras, tubos y acoplamientos diariamente. Reemplace de inmediato todas las piezas gastadas, dañadas o flojas.

PELIGRO POR USO INDEBIDO DEL EQUIPO

Este equipo es sólo para uso profesional.

Lea y comprenda todos los manuales de instrucción, marbetes y etiquetas antes de operar el equipo.

Use el equipo únicamente para el propósito para el que fue fabricado. Si no está seguro del propósito del equipo, llame al distribuidor de BINKS de su localidad.

El uso indebido puede ocasionar la muerte o lesión grave.

No sobrepase la presión de trabajo máxima o la clasificación de temperatura del componente del sistema con la clasificación más baja. Vea la información técnica en todos los manuales del equipo.

Use fluidos y disolventes que sean compatibles con las piezas húmedas de su equipo. Vea la información técnica en todos los manuales del equipo. Lea las advertencias del fabricante para el fluido y el disolvente. Para información completa acerca de su material, pida una hoja de datos de seguridad de los materiales (MSDS) de su distribuidor o comercio minorista.

Revise su equipo diariamente. No altere ni modifique su equipo. Repare o reemplace las piezas gastadas o dañadas de inmediato con piezas de reemplazo genuinas de BINKS únicamente.

No altere ni modifique este equipo.

Use el equipo únicamente para el propósito para el que fue fabricado. Llame a Binks para más información.

PISTOLA PULVERIZADORA SIN AIRE 75M DE BINKS

Colocar las mangueras y los cables alejados de las áreas de tráfico, los bordes filosos, las partes móviles y las superficies calientes.

No retuerza ni doble excesivamente las mangueras ni use las mangueras para tirar de los equipos.

Use mangueras genuinas de BINKS. Si viniesen con la unidad, no quite los protectores de resorte de las mangueras ya que están en las mangueras para evitar desgarramientos debidos a retorcimiento en los conectores.

Mantenga a niños y animales fuera del área de trabajo. Cumpla con todos los reglamentos de seguridad aplicables.

No opere el equipo si está cansado o bajo la influencia de drogas o bebidas alcohólicas.

PELIGRO DE FLUIDO TÓXICO

Conozca los peligros específicos del fluido que esté usando. La información se encuentra en la hoja MSDS del material que está usando. Lea todas las advertencias del fabricante del fluido.

Guarde los fluidos peligrosos sólo en recipientes aprobados. Deseche todos los fluidos peligrosos de acuerdo con todas las directrices estatales, locales y nacionales.

Use la ropa protectora adecuada, los guantes, las gafas protectoras y el respirador adecuados.

REQUISITOS DE CONEXIÓN A TIERRA Y ELÉCTRICOS

El atomizador y la pistola deben conectarse a tierra. La conexión a tierra reduce el riesgo de descargas estáticas y eléctricas proporcionando un cable de escape para la corriente eléctrica debida a la acumulación de estática o en caso de cortocircuito. Siga las instrucciones de conexión a tierra incluidas en el manual del equipo provisto con todo su equipo de atomizado. Se proporcionan instrucciones adicionales de conexión a tierra para su **Pistola pulverizadora sin aire 75M de BINKS**:

Conecte a tierra su **Pistola pulverizadora sin aire 75M de BINKS** acoplándola a una manguera de fluido y bomba debidamente puestas a tierra.

INSTALACIÓN DE MONTAJE

ADVERTENCIA

Nunca intente ensamblar, cambiar o limpiar la pistola o el resguardo de la punta sin primero liberar la presión del sistema de atomizado. Siga el "PROCEDIMIENTO DE LIBERACIÓN DE PRESIÓN" en el manual del equipo de la pistola pulverizadora.

ADVERTENCIA

Use siempre el resguardo de seguridad de la punta para mayor protección contra inyección. Tenga en cuenta que el resguardo por sí mismo no evitará la inyección. ¡NUNCA desprenda el resguardo de la punta! Deje puesto siempre el seguro del disparador de la pistola cuando no la esté usando. Antes de reparar o dar mantenimiento al equipo, consulte todos los manuales del equipo y siga las advertencias.

ADVERTENCIA

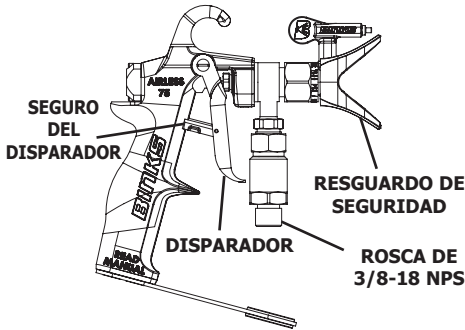
No permita que el fluido sobrepase la temperatura máxima recomendada por el fabricante para el fluido. Para usar la pistola con materiales calientes, la pistola debe incluir el protector de calor (54-7527).

NOTA

Los resguardos de seguridad de la punta de la Pistola pulverizadora sin aire de BINKS para la pistola de 7500 PSI (517 BAR) son de color negro.

PISTOLA PULVERIZADORA SIN AIRE 75M DE BINKS

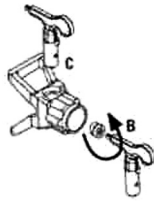
PISTOLA PULVERIZADORA SIN AIRE 75M PARA USO PROFESIONAL DE BINKS 7500 PSI (517 BAR) MODELO 0811-7500-4



Si usted está usando una punta genuina BINKS, siga las siguientes instrucciones para instalar el resguardo y la punta. Si está usando una punta diferente, siga las instrucciones provistas con la punta que esté usando.

INSTALACIÓN DE LA PUNTA Y EL RESGUARDO

1. Asegúrese de que la punta y el resguardo de la punta estén clasificados para uso a 7500 PSI. (Las piezas genuinas BINKS serán de color gris.)
2. Use una herramienta de alineamiento de sellos en la manija de la punta BINKS para insertar el sello y la empaquetadura de presión en la parte trasera del resguardo, gire para alinearlos con el orificio en el asta de la punta.
3. Inserte la punta en el orificio del protector BINKS.



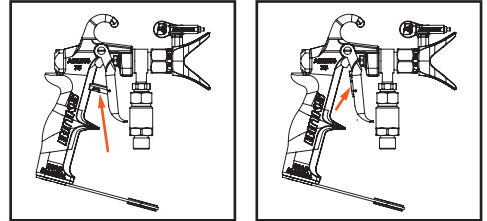
NOTA

El extremo delgado de la manija de la punta debe estar en posición hacia adelante para atomizar.

4. Enrosque el resguardo en la cabeza de la pistola hasta que se detenga. Apriete suavemente con una llave – NO APRIETE DEMASIADO.

CONEXIÓN A LA MANGUERA

Aople una manguera de fluido debidamente puesta a tierra al accesorio de conexión de la manguera de fluido (rosca de 3/8 – 18 NPS) en la parte inferior del mango de su pistola pulverizadora. Use dos (2) llaves inglesas –una en la pistola y otra en la manguera. Apriete bien.



CON SEGURO

SIN SEGURO

OPERACIÓN DE LA PISTOLA

1. Asegúrese de que la punta esté en posición de atomizado.
2. Rocíe siguiendo las instrucciones provistas en el manual del propietario del equipo.
3. Tire del disparador para activar el flujo a través de la pistola.
4. Ajuste la presión de fluido en el atomizador hasta lograr la debida atomización. Rocíe siempre con la presión más baja necesaria para lograr la atomización deseada.

OBSTRUCCIÓN DE LA PUNTA

Si usted está usando una punta pulverizadora genuina BINKS, siga las instrucciones a continuación para despejar una punta obstruida. Si está usando una punta diferente, siga las instrucciones incluidas en el manual del equipo provisto con la punta.

1. Ponga el seguro del disparador. Haga girar la manija de la punta 180° hacia la posición inversa.
2. Quite el seguro del disparador. Apunte la pistola hacia un cubo sosteniendo el extremo delantero de la pistola en dirección opuesta a la suya. Dispare la pistola momentáneamente para expeler el material causante de la obstrucción.
3. Ponga el seguro del disparador. Haga girar la manija de la punta 180° hacia la posición de atomizado.
4. Quite el seguro del disparador. Haga una prueba de atomizado para asegurarse de que se ha eliminado totalmente la obstrucción.

PISTOLA PULVERIZADORA SIN AIRE 75M DE BINKS

NOTA

Si la obstrucción no se ha eliminado totalmente después de seguir los pasos anteriores, repita los pasos del 1 al 4 hasta lograrlo por completo.

LIMPIEZA Y MANTENIMIENTO

LIMPIAR DIARIAMENTE

Es importante mantener limpia su pistola para asegurar una operación sin problemas y prolongar su vida útil. Siempre purgue bien la pistola después de usarla y guárdela en un lugar tibio y seco. NO deje la pistola ni ninguna de sus partes en agua o disolventes.

Siempre purgue la pistola afuera si fuese posible y al menos a una distancia de 7.5 m (25 pies) del atomizador.

El área debe estar libre de vapores inflamables.

Siempre purgue la pistola a una presión mínima. Quite siempre la punta y el resguardo.

La acumulación de electricidad estática puede producir incendio o explosión en presencia de vapores inflamables.

Al purgar, sostenga siempre la pistola con firmeza contra un recipiente metálico puesto a tierra.

LOCALIZACIÓN Y REPARACIÓN DE AVERÍAS

La distancia de la pistola pulverizadora de la superficie de trabajo debe ser en un punto donde el patrón de ventilación máximo sea evidente. Normalmente la distancia es de 8 a 14 pulgadas.

Una presión de fluido excesiva distorsionará el patrón de pulverización. Rocíe a la presión más baja aceptable.

Relojes de arena y colas en los patrones de pulverización normalmente indican una presión de fluido muy baja para el tamaño del orificio de la punta de la boquilla o que el material es muy viscoso o espeso. Aumente la presión o reduzca el espesor del material.

Los patrones distorsionados pueden deberse a puntas gastadas u obstruidas. Limpie (vea obstrucción de la punta) o reemplace la punta pulverizadora.

Las pistolas pulverizadoras sin aire están siempre encendidas o apagadas. Usted no puede hacer pasadas de hilo fino con pistolas sin aire como se puede hacer con los equipos de aire atomizado.

Las pasadas sucesivas podrían requerir de superposición parcial. La superposición típica es del 30%.

PARA REEMPLAZAR EL CONJUNTO DE LA AGUJA (10)

1. Corte el suministro eléctrico a la bomba y reduzca la presión de la pistola. Quite la pistola de la manguera.
2. Quite los tornillos y el sombrerete trasero. (12)
3. Quite el disparador y el espárrago del disparador (9)
4. Destornille la tuerca del portaempaquetadura del artículo 10.
5. Saque el conjunto de la aguja de la parte posterior de la pistola.
6. Reinserte el conjunto de la aguja (del paso 5) en su posición a través de la parte posterior del conjunto del cuerpo de la pistola. Apriete la tuerca del portaempaquetadura.
7. Vuelva a ensamblar los artículos.

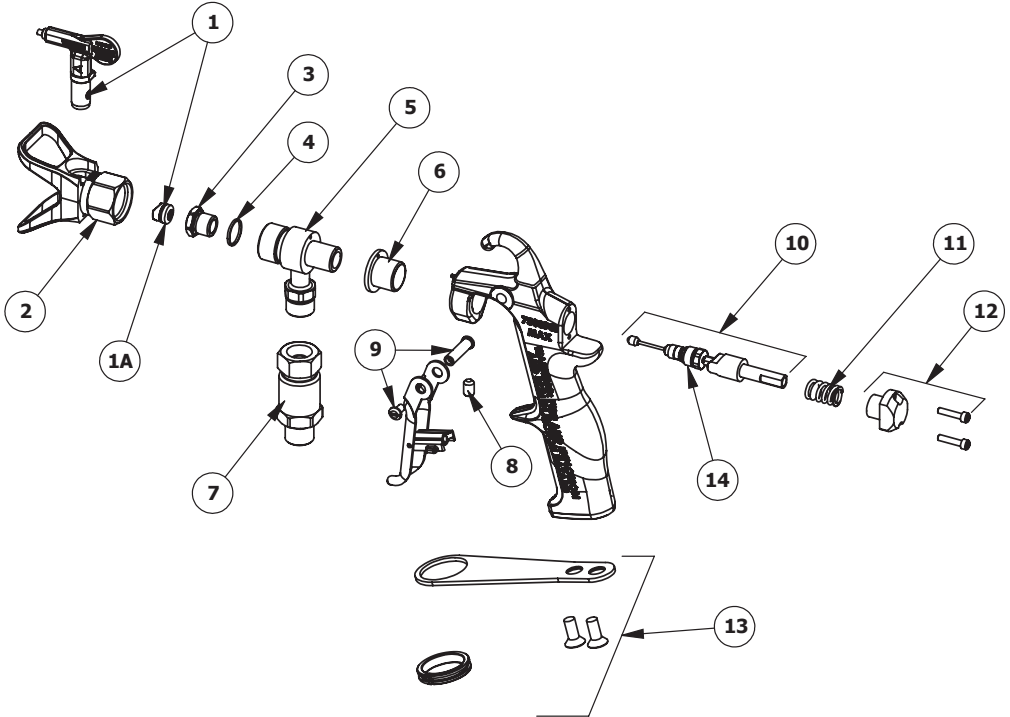
PARA REEMPLAZAR EL PORTAEMPAQUETADURA

1. Quite el conjunto de la aguja siguiendo los pasos del 1 al 5 bajo "Reemplazar el conjunto de la aguja".
2. Localice la ranura en el portaempaquetadura (14), separarlo con palanca y quitarlo.
3. Reemplace con un nuevo portaempaquetadura y vuelva a ensamblar.

PARA AJUSTAR EL PORTAEMPAQUETADURA

1. Corte el suministro eléctrico a la bomba y reduzca la presión de la pistola. Quite la pistola de la manguera.
2. Use una llave inglesa de 7/16" para hacer girar la tuerca del portaempaquetadura en sentido horario para eliminar cualquier filtración en la empaquetadura.
3. Si observa una operación lenta en el disparador, haga girar la tuerca del portaempaquetadura en sentido antihorario en incrementos de 1/16 por giro hasta eliminar el estorbo.
4. Si no puede detenerse la filtración sin arrastre excesivo en el disparador, reemplace la empaquetadura.

PISTOLA PULVERIZADORA SIN AIRE 75M DE BINKS



LISTA DE PIEZAS, PISTOLA PULVERIZADORA SIN AIRE 75M DE BINKS

NÚM. DE ART.	NÚM. DE PIEZA	DESCRIPCIÓN	CANT.
1	—	PUNTA GIRATORIA 7500, PSI, VER LA TABLA	1
1A	54-7539-K2	KIT DE TRABA CON PUNTA GIRATORIA, SIN AIRE 75	1
2	1108-75B	RESGUARDO DE LA PUNTA GIRATORIA, 7500 PSI	1
3	54-7537-K	KIT DE TUERCA DIFUSORA	1
4	54-2096-K5	ARANDELA (KIT-5)	1
5	54-7544	CONJUNTO DE LA CABEZA SOLDADA DE LA PISTOLA PULVERIZADORA SIN AIRE 75M	1
6	54-7502-K3	AISLADOR CORPORAL	1
7	72-2351	ARTICULACIÓN GIRATORIA, 3/8 (H) NPS X 3/8 (M) NPS	1
8	20-5865-K3	TORNILLO PRISIONERO (KIT DE 3)	1
9	54-7534-K	KIT DEL DISPARADOR	1
10	54-7512	CONJUNTO DE LA AGUJA	1
11	54-7508	RESORTE	1
12	54-7530-K	KIT DEL SOMBRERETE TRASERO	1
13	54-7542-K	KIT DEL SOPORTE DE LA MANGUERA	1
14	54-2949	PORTAEMPAQUETADURA	1

TABLA DE SELECCIÓN DE PUNTAS DE ATOMIZADO BINKS

NÚMERO DE PIEZA 9-XXX-75 (puntas clasificadas para uso a 7500 psi).

Todas las siguientes puntas tendrán una manija gris

	Patrón de pulverización de 4"	Patrón de pulverización de 6"	Patrón de pulverización de 8"	Patrón de pulverización de 10"	Patrón de pulverización de 12"	Patrón de pulverización de 14"
Orificio de 0,007"		307				
Orificio de 0,009"		309	409	509		
Orificio de 0,011"	211	311	411	511	611	
Orificio de 0,013"	213	313	413	513	613	713
Orificio de 0,015"	215	315	415	515	615	715
Orificio de 0,017"	217	317	417	517	617	717
Orificio de 0,019"		319	419	519	619	
Orificio de 0,021"			421	521	621	
Orificio de 0,023"				523	623	
Orificio de 0,025"				525	625	
Orificio de 0,027"					627	
Orificio de 0,031"					631	
Orificio de 0.035"			435		635	

ACCESORIOS BINKS

NÚM. PARA PEDIDO	DESCRIPCIÓN
72-2332	Adaptador giratorio 1/4" M x 1/4" H
72-2333	Adaptador giratorio 3/8" M x 1/4" H
72-2340	Adaptador giratorio con filtro de entrada (malla 60)
72-2341	Adaptador giratorio con filtro de entrada (malla 100)
54-1836	Filtro de malla 60
54-1835	Filtro de malla 100
52-5208	Extensión de la punta sin aire, 36"
52-5209	Extensión de la punta sin aire, 60"
72-2339	Bloque en "Y" de alta presión (7,250 psi máx.)

MANGUERA DE FLUIDO SIN AIRE BINKS

NÚM. PARA PEDIDO	DESCRIPCIÓN
71-4870	Conexión flexible de manguera, 1/4" H x 3/8" M 3 pies, presión de trabajo de 10,000 psi
71-4840	Manguera de 1/4" x 25 pies, presión de trabajo de 10,000 psi
71-4841	Manguera de 1/4" x 50 pies, presión de trabajo de 10,000 psi
71-4860	Manguera de 3/8" x 25 pies, presión de trabajo de 8,000 psi
71-4861	Manguera de 3/8" x 50 pies, presión de trabajo de 8,000 psi

NOTAS

POLÍTICA DE GARANTÍAS

Los productos Binks están cubiertos por la garantía limitada de materiales y mano de obra por un año de Carlisle Fluid Technologies. El uso de cualquier pieza o accesorio de una fuente que no sea Carlisle Fluid Technologies, anulará todas las garantías. Para obtener información específica sobre la garantía, favor ponerse en contacto con el local de Carlisle Fluid Technologies más cercano a usted entre los listados a continuación.

Carlisle Fluid Technologies se reserva el derecho de modificar las especificaciones del equipo sin previo aviso. DeVilbiss®, Ransburg®, MS®, BGK®, y Binks® son marcas registradas de Carlisle Fluid Technologies, Inc. ©2016 Carlisle Fluid Technologies, Inc. Reservados todos los derechos.



Binks es parte de Carlisle Fluid Technologies, un líder global en tecnologías de acabados innovadores. Para asistencia técnica o para localizar un distribuidor autorizado, póngase en contacto con uno de nuestros centros internacionales de ventas y apoyo al cliente listados.

EE.UU./Canadá

info@carlisleleft.com
Teléfono: 1-888-992-4657
Fax: 1-888-246-5732

México

ventas@carlisleleft.com.mx
Teléfono: 011 52 55 5321 2300
Fax: 011 52 55 5310 4790

Brasil

vendas@carlisleleft.com.br
Teléfono: +55 11 5641 2776
Fax: 55 11 5641 1256

Reino Unido

info@carlisleleft.eu
Teléfono: +44 (0)1202 571 111
Fax: +44 (0)1202 573 488

Francia

info@carlisleleft.eu
Teléfono: +33(0)475 75 27 00
Fax: +33(0)475 75 27 59

Alemania

info@carlisleleft.eu
Teléfono: +49 (0) 6074 403 1
Fax: +49 (0) 6074 403 281

China

mkt@carlisleleft.com.cn
Teléfono: +8621-3373 0108
Fax: +8621-3373 0308

Japón

overseas-sales@carlisleleft.co.jp
Teléfono: 081 45 785 6421
Fax: 081 45 785 6517

Australia

sales@carlisleleft.com.au
Teléfono: +61 (0) 2 8525 7555
Fax: +61 (0) 2 8525 7575

Para obtener la última información sobre nuestros productos, visite www.carlisleleft.com.

